



Corrosion resistant ventilation systems  
Control and monitoring of laboratory ventilation



# Summary

## SEAT Series

..... Pages 8 to 21



## SEAT kit roof unit

..... Pages 22 to 23



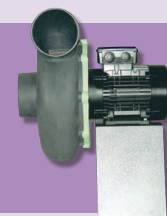
## JET Series

..... Pages 24 to 31



## STORM Series

..... Pages 32 to 41



## Accessories

..... Pages 42 to 43



## Controllers and Inverters

..... Pages 44 to 45



# Corrosion resistant polypropylene fans



## Durability

Single piece high density polypropylene molded casing, more durable.



## Corrosion resistance

All parts made of UV treated chemical resistant polypropylene (PP).



## Ease of installation

Compact design & low carrying weight, round standard inlet/outlet, no need for transitions.



## Cost effectiveness

Lasts much longer than metal fans with coatings.

# Airflow monitors & controllers



- EN 14175 & RoHS compliant
- Accurate
- Easy to use and install
- Short response time



# History

1968 : Establishment of SEAT by Mr. Bernard Chapel, father of current CEO. The family owned business is located in Montfermeil, a close suburb of Paris. The company specialises in the field of plastic boiler making including plastic fans, fume hoods etc.



1986 : Belgium is the first of many abroad markets.

1988 : Launch the new range of PP centrifugal called "SEAT Series".  
The unique and colourful design is quickly a hit on domestic and foreign markets.

1995 : SEAT adds the "JET Series" inline fans to its range of PP fans.

1996 : Establishment of "Seplast", subsidiary of SEAT in the Czech Republic.

1997 : The "SEAT Control" airflow monitor for fume cupboard is born. This equipment quickly becomes the monitor and control of choice of French laboratory furniture makers and installers.  
Establishment of "Thermoseat", subsidiary of SEAT in Hungary

1998 : Introduction of "STORM" Series fans for application requiring higher pressure.

1999 : Establishment of "Plastec" the US subsidiary of SEAT covering the Americas. Originally located in the Philadelphia area, it has since then been moved to Bradenton, Florida.

2005 : SEAT is relocating its offices and factory in Verniolle, located an hour South of Toulouse nearby the Pyrenees Mountains. The brand new factory and offices are built from the ground up to accomodate fast growth on domestic and international markets.



2006 : SEAT AirControl new generation of airflow monitors and controls is introduced into markets. SEAT Ventilation SA is experiencing a 2 figures growth rate and is currently represented in 45 countries.

2012 : SEAT AirControl new generation of airflow monitors and controls.

2013 : SEAT adds SEAT 50 inline fan to its range of PP fans.

# About us

## Our expertise

With over 40 years of experience in the field of laboratory fume extraction systems, SEAT Ventilation SA has become one of the few leading manufacturers of corrosion-resistant polypropylene fans.

## Our products

- Corrosion-resistant polypropylene fans and blowers.
- Airflow monitors and controls for laboratory fume cupboards.

## Areas of application

- Laboratories
- Chemical industry
- Water treatment plants
- Hospitals
- Electroplating
- College and universities



## Our values

- Competence: you can count on our team of ventilation specialists to help you select the most adapted equipment for your needs and budget.
- Customer care: we are committed to respond to your enquiries within 48 hours thanks to our dedicated multilingual staff. Orders, unless exceptionally large ones, are usually processed within a week.
- Competitiveness: we invest a very substantial amount of our annual revenues into new tooling to offer you the highest quality at the most competitive price.
- Innovation: our products are well known for their unique design and features. We strive to improve our existing range as well as putting new equipment on the market that truly fits the global market needs.

# Worldwide

SEAT Ventilation first set out on the international scene in 1981, when Jean-Luc Chapel began exporting products to Belgium. Since then, it has followed an active world-wide development policy and currently earns 38% of its turnover abroad. SEAT Ventilation SA is present in over 70 countries, giving it comprehensive market coverage consisting of long-term cooperation strategy. SEAT Ventilation SA furthermore owns three sales and assembly subsidiaries in Hungary, Czech Republic and The United States.

## Key Figures :

- 70 countries across 5 continents
- 38% of total turnover
- 3 subsidiaries:
  - Plastec founded in 1999 in USA
  - Thermoseat founded in 1997 in Hungary
  - Seplast founded in 1996 in Czech Republic
- 2 Export Awards earned



- America:** Argentina - Chile - Bolivia - Brazil - Canada - Colombia - Mexico - Peru - United States - Venezuela
- Africa:** South africa - Algeria - Botswana - Ivory Coast - Egypt - Kenya - Madagascar - Morocco - Nigeria - Senegal - Tunisia
- Asia:** China - South Korea - India - Indonesia - Kazakhstan - Malaysia - Pakistan - Singapore - Thailand - Vietnam
- Europe:** Germany - Austria - Belgium - Belarus - Bulgaria - Cyprus - Denmark - Spain - Estonia - Finland - Greece - Hungary - Ireland - Latvia - Lithuania - Netherlands - Poland - Portugal - Czech Republic - Romania - United Kingdom's - Russia - Serbia - Sweden - Switzerland - Ukraine
- Middle East:** Saudi Arabia - United Arab Emirates - Israel - Jordan - Kuwait - Lebanon - Oman - Turkey
- Oceania:** Australia - New Zealand

## Specifications



### Housings: PP



Single block strong high density UV treated and recyclable polypropylene (PPH) with no welded joint. Reversible and rotatable to any the 8 standard discharge positions by 45° increments. All fan mounting hardware in stainless steel.

### Wheels: PP

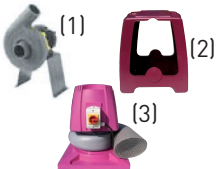


Forward curved centrifugal type impeller made, of injection molded PPH. Fan wheel supplied with hub cap constructed of PPH. Wheels electronically and dynamically balanced to ISO 1940.

### Motors



Direct drive, asynchronous, single or three phase, IP55. Single speed: three phase 230/400 V-50/60Hz, single phase 230V-50Hz. Explosion proof motors available on request. Motor is outside the airstream. Three phase motors speed adjustable by variable frequency inverter drive.



### Motor Support

Several options: no stand, metal stand constructed of epoxy coated sheet metal<sup>(1)</sup>, polypropylene motor pedestal<sup>(2)</sup> or roof unit kit<sup>(3)</sup>.

### ATEX



SEAT Series Fans are also available in ATEX Zone II, known outside Europe as explosion proof, category 3 G execution in accordance with ATEX directive 94/9/CE. ATEX declaration of conformity available on our web site [www.seat-ventilation.com](http://www.seat-ventilation.com). The performances curves of explosion proof fans are identical with the ones of the standard version.

### Temperature resistance

PPH casing and wheel recommended up to 60°C.

### Performance


Fan performance based on tests conducted in accordance with AMCA 210-85 and ISO 5801.

### Warranty

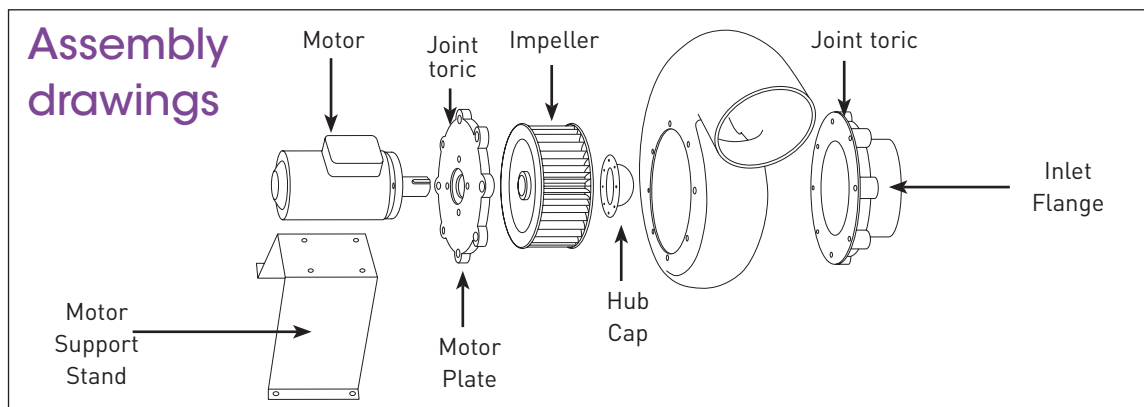
SEAT VENTILATION warrants its equipment to be free from defects in workmanship and material under normal use and service for **two years** after shipment. Warranty is void if damage results from improper wiring or installation.



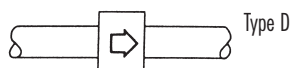
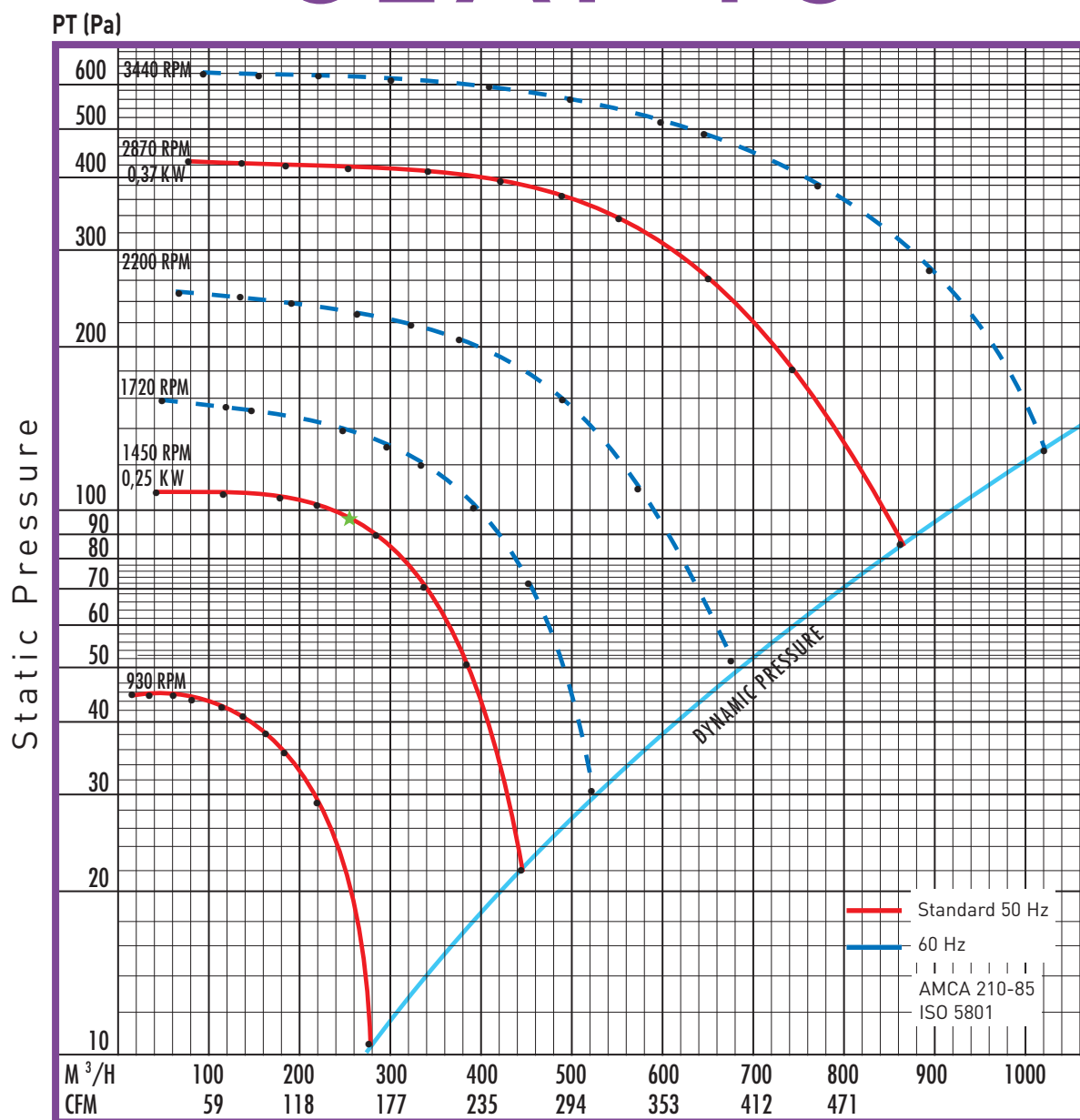
## Electrical data and weight\*

	RPM (T/min)	(kW)	(V)	AMP draw (A)	Weight (Kgs)	Reference
<b>Single phase</b>						
SEAT 15	1500	0,25	230	2,5	8,30	51152010
	3000	0,37	230	3,1	8,10	51153010
SEAT 20	1500	0,25	230	2,5	9,00	51202010
	3000	0,75	230	5,4	10,50	51203010
SEAT 25	1500	0,37	230	3,1	11,90	51252010
SEAT 30	1500	1,10	230	9,7	13,90	51302010
<b>Three Phase</b>						
SEAT 15	1000	0,18	230/400	1,5/0,85	8,30	51151000
	1500	0,25	230/400	1,3/0,75	7,70	51152000
	3000	0,37	230/400	1,7/1,00	8,00	51153000
SEAT 20	1000	0,18	230/400	1,5/0,85	9,70	51201000
	1500	0,25	230/400	1,3/0,75	9,00	51202000
	3000	0,75	230/400	3,2/1,9	11,40	51203000
SEAT 25	3000	1,10	230/400	4,7/2,7	15,90	51203001
	1000	0,18	230/400	1,5/0,85	11,40	51251000
	1500	0,37	230/400	2,1/1,2	11,50	51252000
	1500	0,55	230/400	3/1,8	12,30	51252055
	3000	1,50	230/400	5,9/3,4	22,10	51253001
	3000	2,20	230/400	8,8/5,1	23,90	51253000
SEAT 30	3000	3,00	230/400	10/3,6	36,00	51253007
	1000	0,55	230/400	3/1,8	19,60	51301000
	1500	1,10	230/400	4,7/2,7	23,70	51302000
SEAT 35	1000	2,20	230/400	9,6/5,5	43,20	51351000
	1500	5,50	230/400	20,8/11,9	53,00	51352000
	1500	4,00	230/400	14,8/8,5	43,60	51352400
SEAT 50	1200	4,00	690/400	9,5/5,5	215,00	51501000
<b>ATEX </b>						
SEAT 15 ATEX	1500	0,18	230/400	0,97/0,56	11,30	51152003
	3000	0,37	230/400	1,64/0,95	10,20	51153003
SEAT 20 ATEX	1500	0,18	230/400	0,97/0,56	9,70	51202003
	3000	0,75	230/400	3,3/1,9	13,20	51203003
SEAT 25 ATEX	1000	0,18	230/400	1,06/0,61	12,80	51251003
	1500	0,37	230/400	1,7/1,1	12,80	51252003
	3000	2,20	230/400	8/4,6	22,60	51253003
SEAT 30 ATEX	1500	1,10	230/400	5,7/3,3	20,60	51302003
SEAT 35 ATEX	1000	2,20	230/400	10/5,7	45,10	51351003
	1500	5,50	230/400	19,2/11	55,60	51352003

\*Tabulated current values are approximate and depend on make and model of the motor.

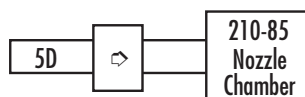


# SEAT 15



Ducted inlet/Ducted outlet  
Casing noise

R.P.M.	dB (A)
1435	49
2870	63



Type B  
Ducted outlet

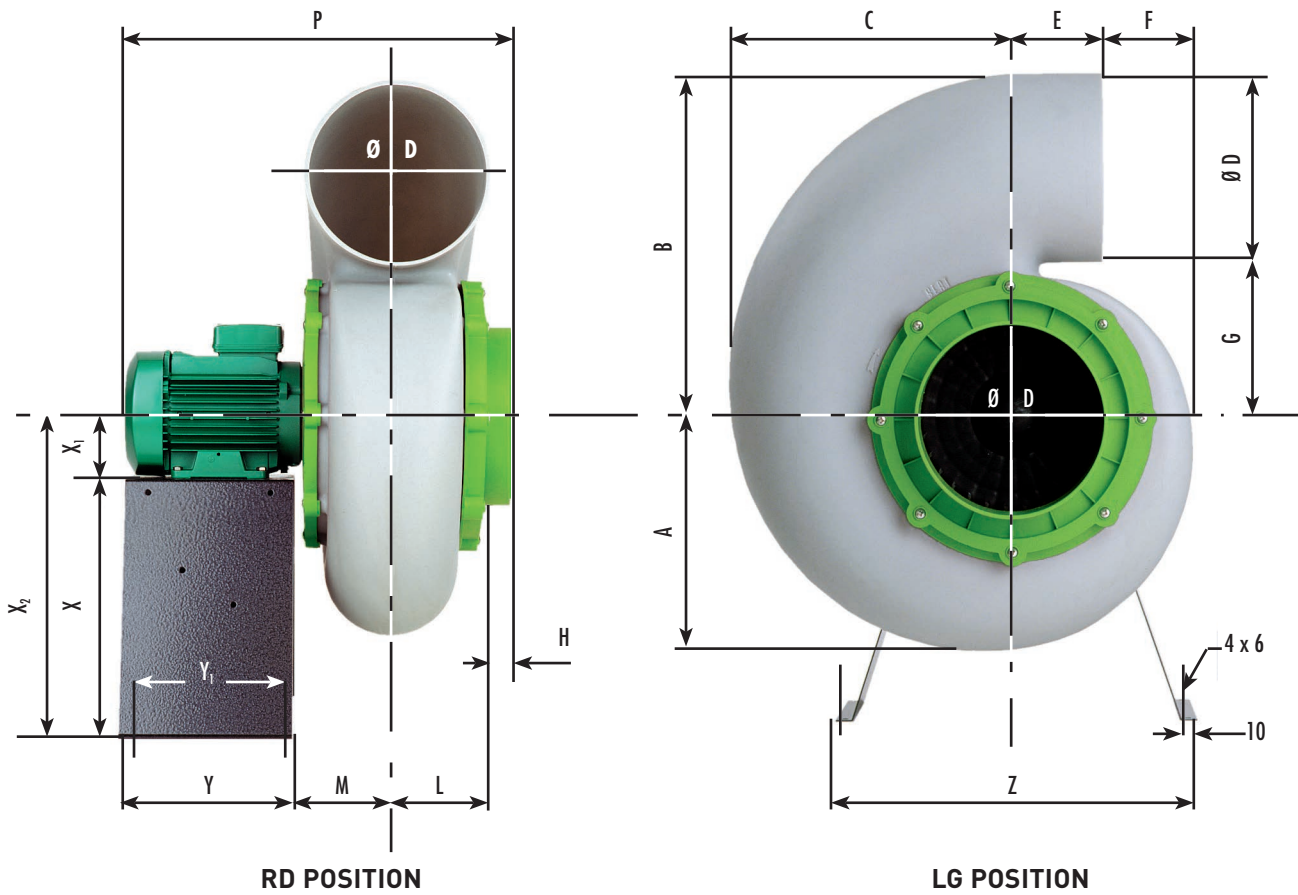
R.P.M.	dB(A)	dB
★ 1450	52	57
2870	70	72

Noise level in octaves (dB)

Freq. Octave Hz	1450 R.P.M. ★ 250 m <sup>3</sup> /h
125	55,3
250	51,7
500	52,1
1000	49,8
2000	41,8
4000	36,9

Noise ratings in accordance with ISO 5801.  
Visit our website for details.





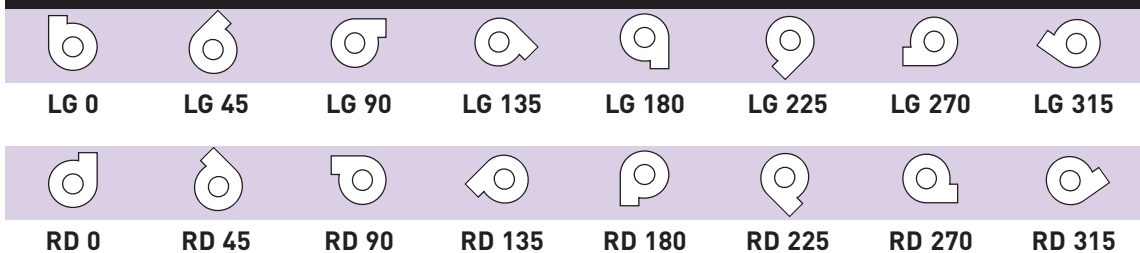
Available  
in **ATEX** version

**Dimensional data (mm) - Metal stand does not come standard with fan (see accessories pricing)**

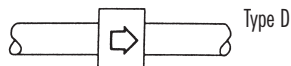
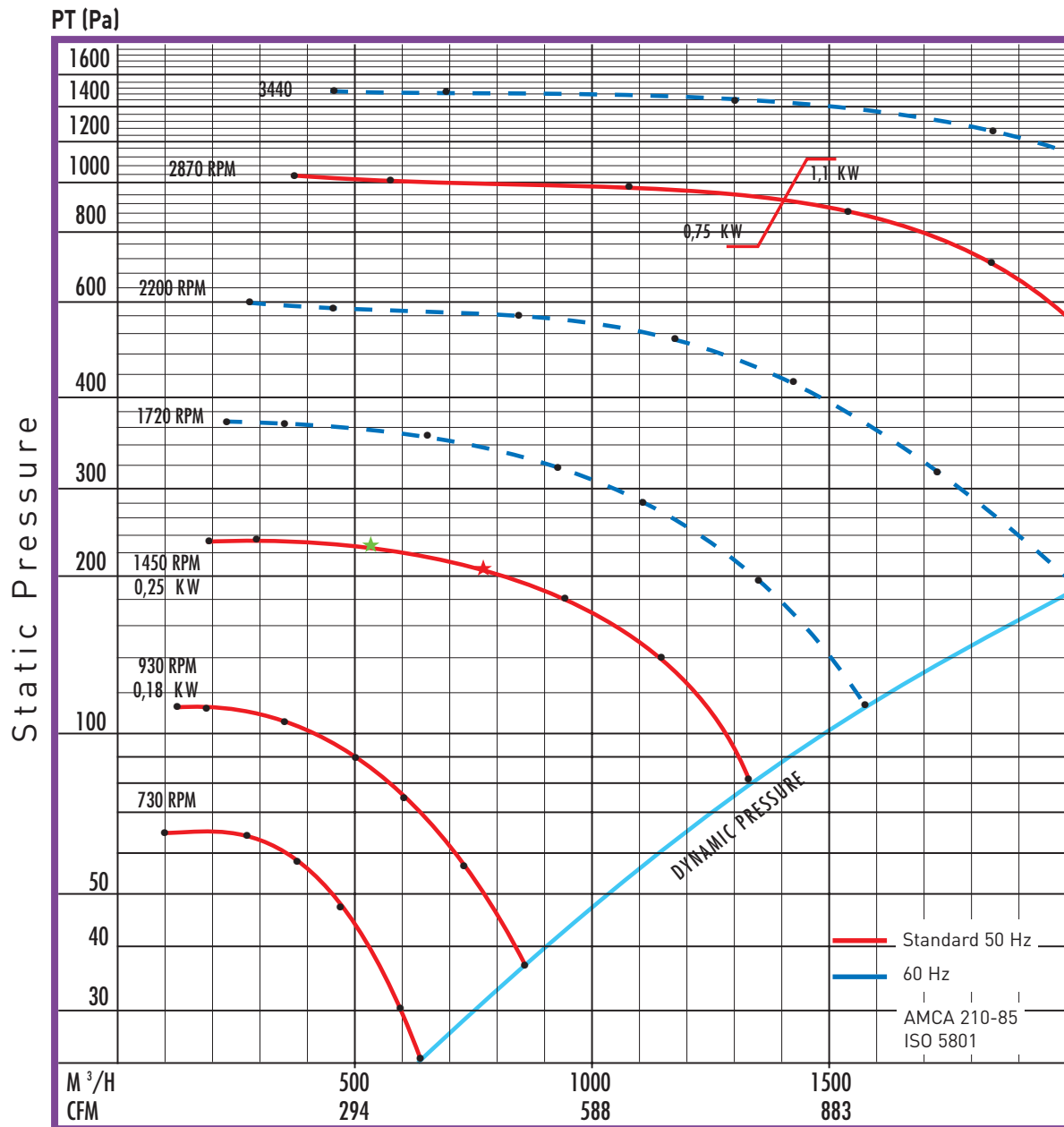
A	B	C	$\emptyset D$	E	F	G	H	L	M	P	Y	$Y_1$	Z	X	$X_1$	$X_2$
170	240	203	125	100	32	115	30	70	80	360	180	160	340	240	71	311

WARNING : for an enclosed pedestal mounting,  $X_2 = 370$  mm.

**Handings are viewed from inlet side - 45 degree adjustable**

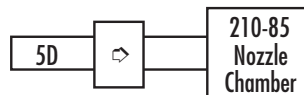


# SEAT 20



Ducted inlet/Ducted outlet  
Casing noise

R.P.M.	dB (A)	
950	41	42
1435	51	52
2870	66	67



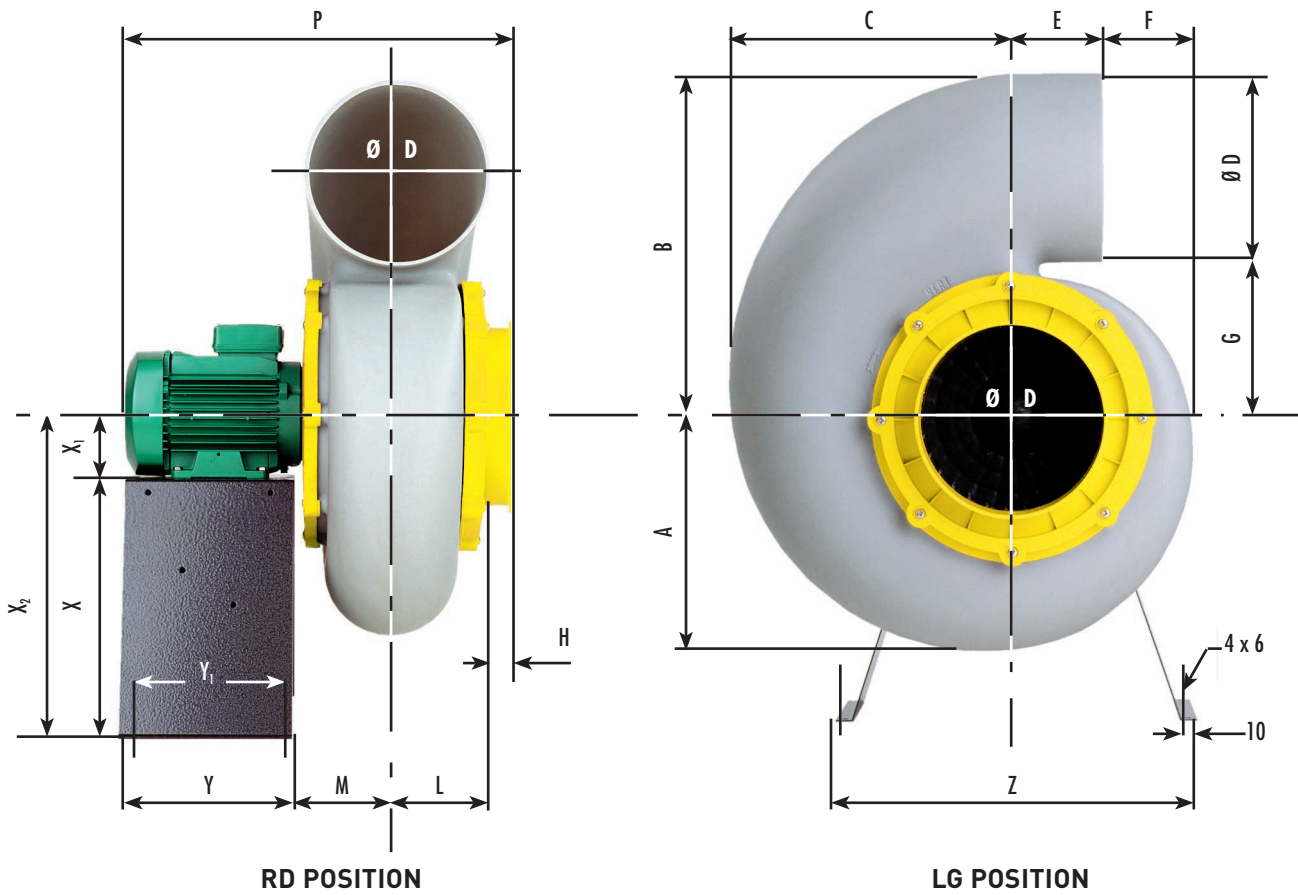
Type B  
Ducted outlet

R.P.M.	dB(A)	
950	53	61
★ 1450	65	70
2870	83	85

Noise level in octaves (dB)

Freq. Octave Hz	1450 R.P.M. ★ 450 m <sup>3</sup> /h	1450 R.P.M. ★ 750 m <sup>3</sup> /h
125	65,1	67,6
250	64,9	65,3
500	63,8	64,8
1000	61	61,9
2000	52,3	53
4000	50,6	51,3

Noise ratings in accordance with ISO 5801.  
Visit our website for details.



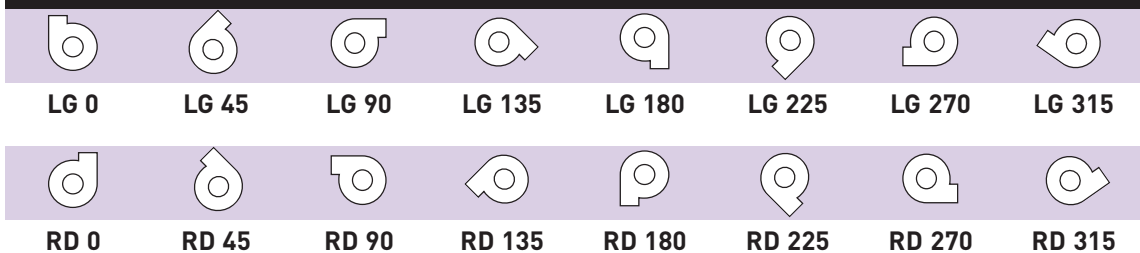
Available  
in **ATEX** version

**Dimensional data (mm) - Metal stand does not come standard with fan (see accessories pricing)**

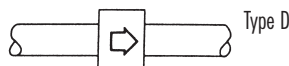
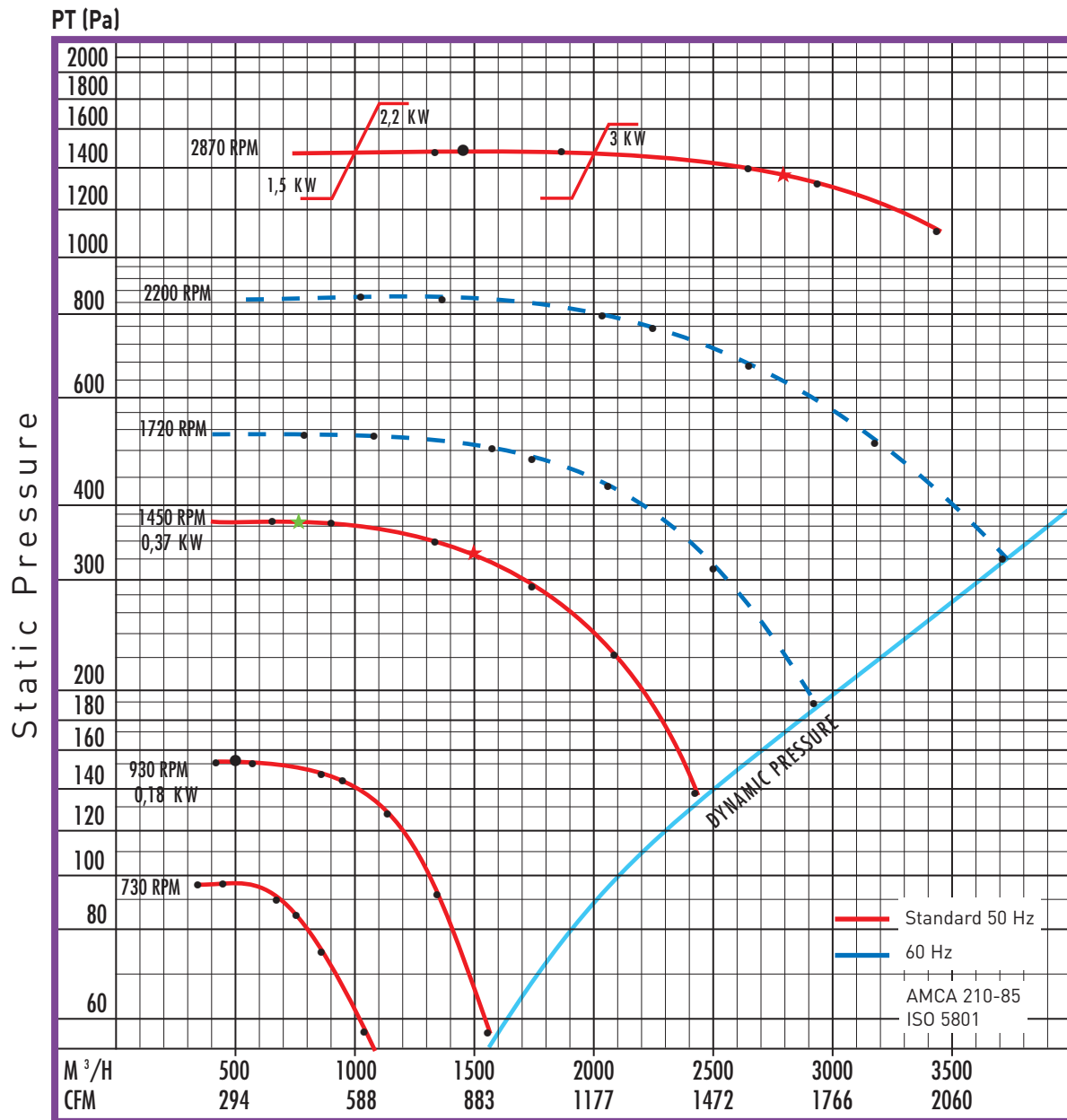
A	B	C	Ø D	E	F	G	H	L	M	P	Y	Y <sub>1</sub>	Z	X	X <sub>1</sub>	X <sub>2</sub>
208	303	240	160	100	57	143	32	84	94	390	180	160	340	240	71	311

WARNING : for an enclosed pedestal mounting, X<sub>2</sub> = 370 mm.

**Handings are viewed from inlet side - 45 degree adjustable**

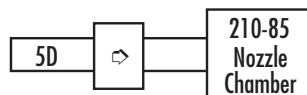


# SEAT 25



Ducted inlet/Ducted outlet  
Casing noise

R.P.M.	dB (A)
950	43
1435	53
2870	68



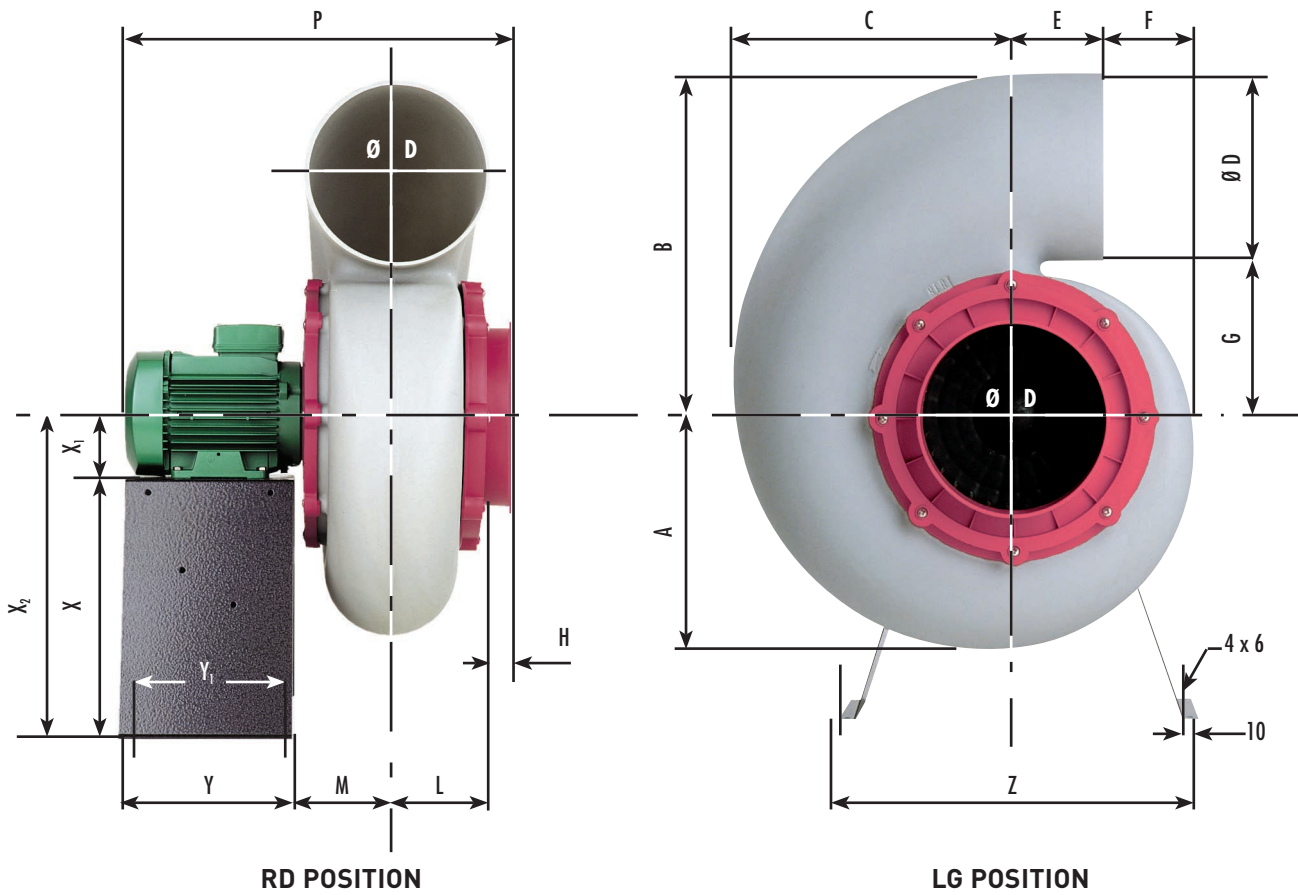
Type B  
Ducted outlet

R.P.M.	dB(A)	dB
950	61	67
★ 1450	73	76
2870	87	89

Noise ratings in accordance with ISO 5801.  
Visit our website for details.

Noise level in octaves (dB)

Freq. Octave Hz	1450 R.P.M. ★ 660 m <sup>3</sup> /h	1450 R.P.M. ★ 1300 m <sup>3</sup> /h	2870 R.P.M. ★ 3080 m <sup>3</sup> /h
125	70,1	72,2	84
250	70,8	70,6	86,9
500	70,1	72,1	85
1000	69,8	70,5	87,2
2000	59,8	62,1	82,3
4000	54,7	59,2	79,6

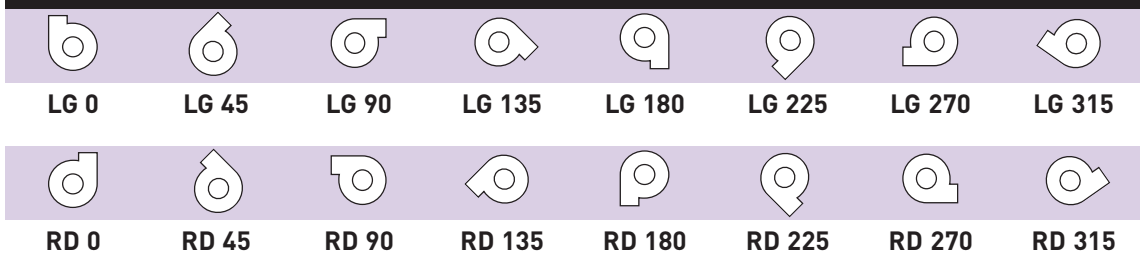


Available  
in **ATEX** version

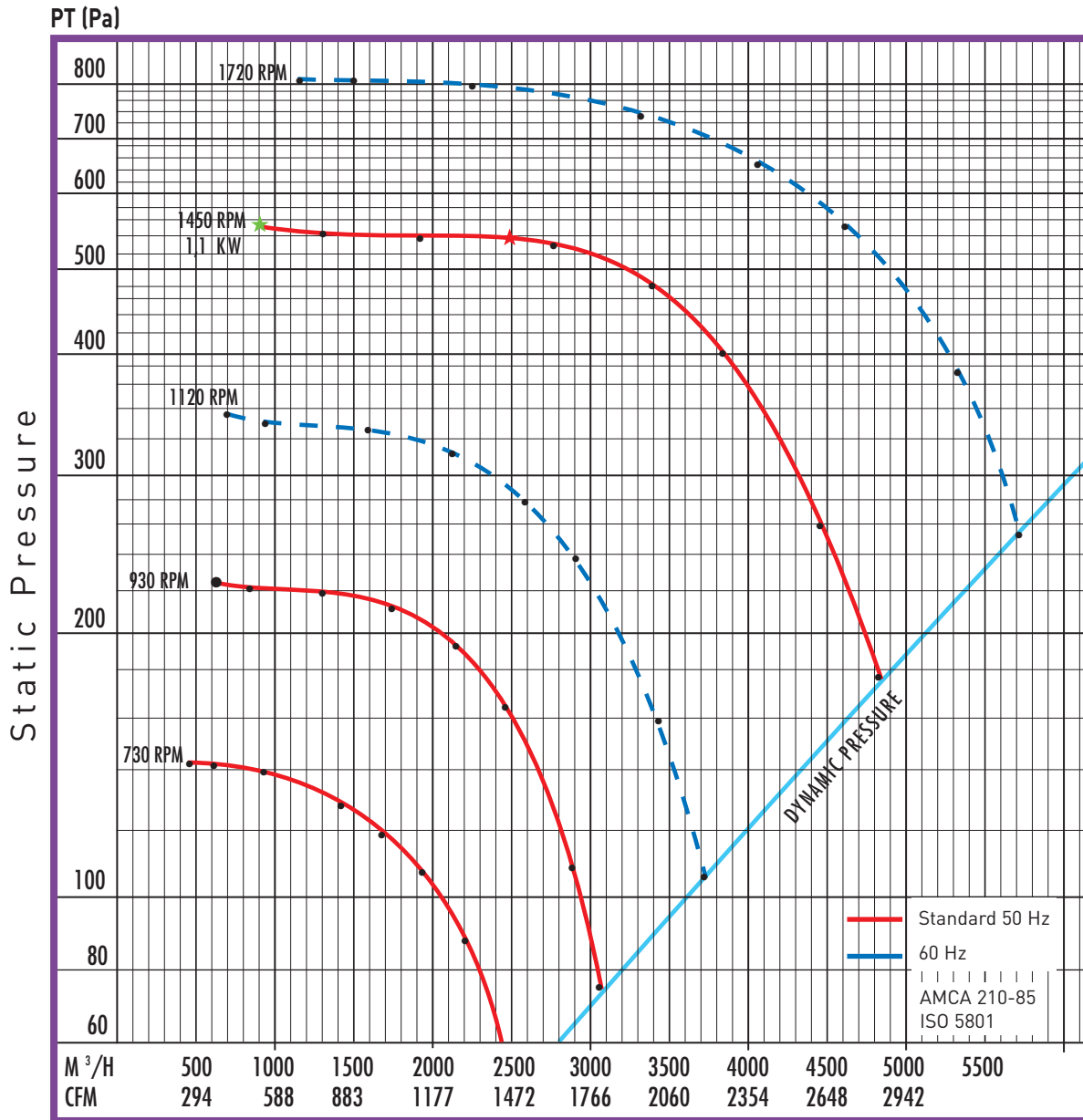
**Dimensional data (mm) - Metal stand does not come standard with fan (see accessories pricing).  
The motor frame size may vary upon type of motor used.**

RPM	A	B	C	Ø D	E	F	G	H	L	M	P	Y	Y <sub>1</sub>	Z	X	X <sub>1</sub>	X <sub>2</sub>
930 / 1450	248	365	310	200	103	92	165	35	95	105	430	180	160	420	300	71	371
2870	248	365	310	200	103	92	165	35	95	105	515	180	160	420	300	90	390

**Handings are viewed from inlet side - 45 degree adjustable**

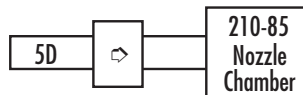


# SEAT 30



Ducted inlet/Ducted outlet  
Casing noise

R.P.M.	dB (A)
715	40
950	46
1435	63



Type B  
Ducted outlet

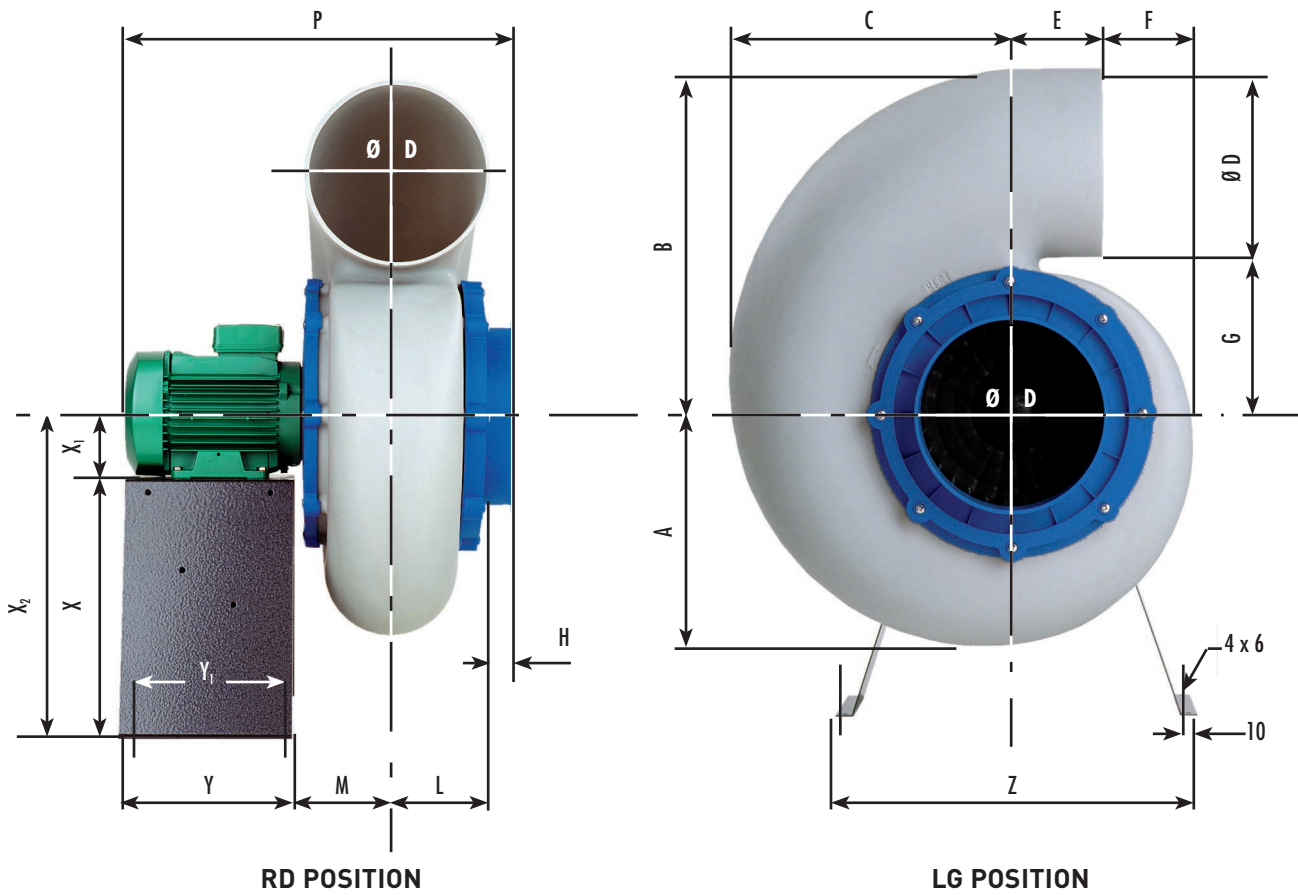
R.P.M.	dB(A)	dB
715	59	67
950	66	73
★ 1450	78	82

Noise ratings in accordance with ISO 5801.  
Visit our website for details.

Noise level in octaves (dB)

Freq. Octave Hz	1450 R.P.M. ★ 900 m <sup>3</sup> /h	1450 R.P.M. ★ 2500 m <sup>3</sup> /h
125	75,1	60,6
250	76,5	68,5
500	76,9	75,5
1000	73,2	74,2
2000	68,5	71
4000	63,9	66,7



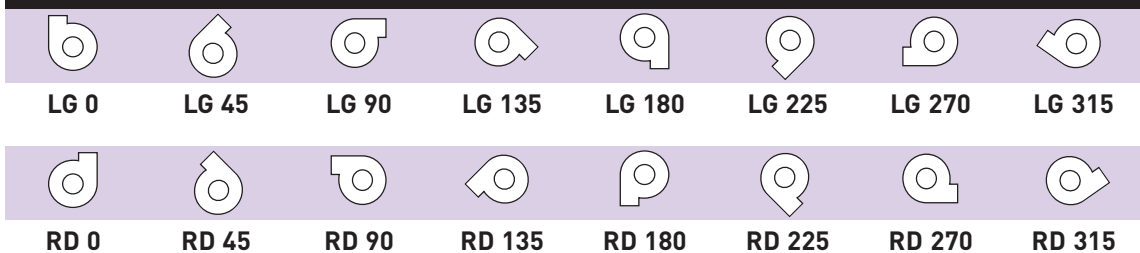


Available  
in **ATEX** version

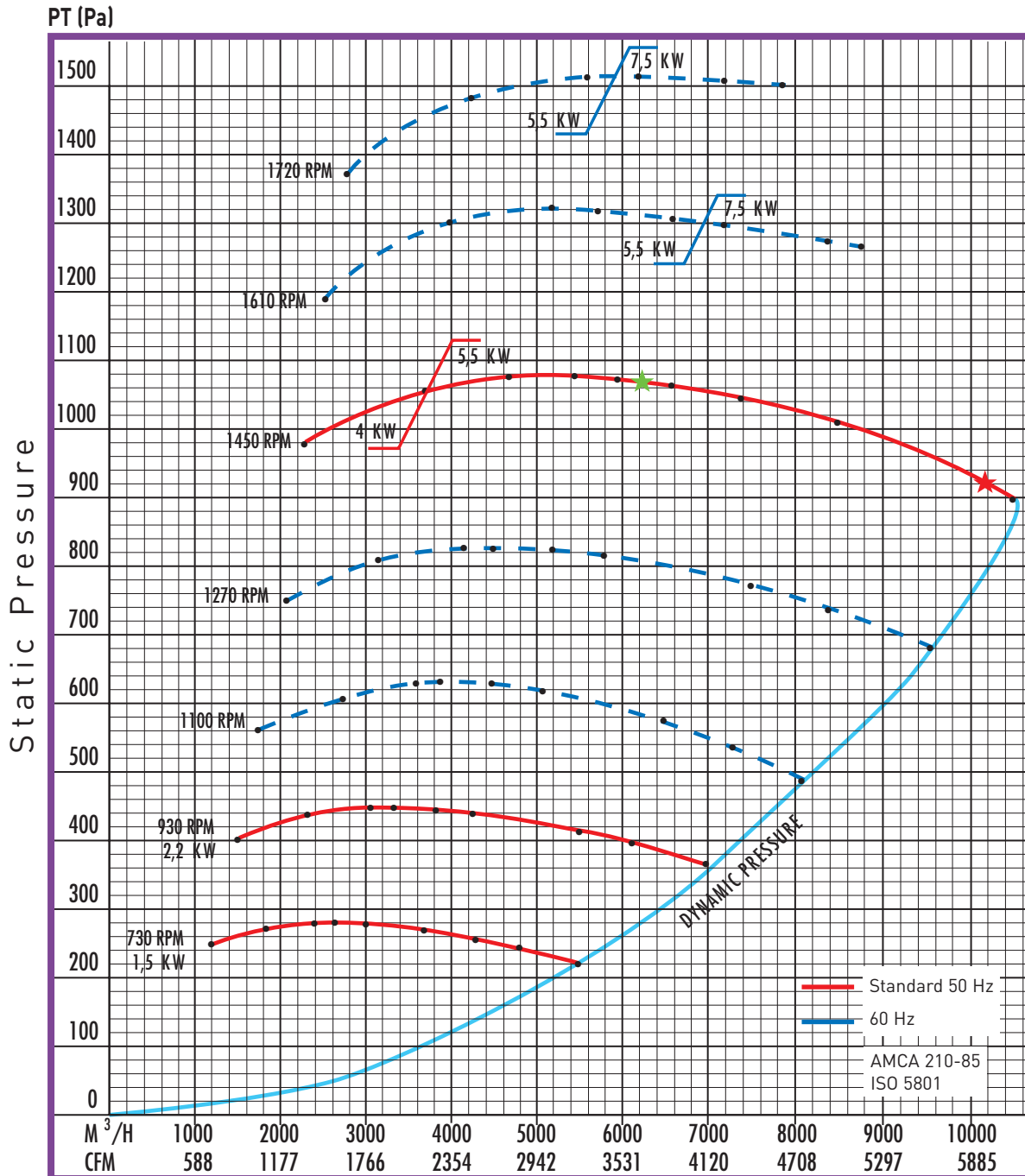
**Dimensional data (mm) - Metal stand does not come standard with fan (see accessories pricing).  
The motor frame size may vary upon type of motor used.**

RPM	A	B	C	Ø D	E	F	G	H	L	M	P	Y	Y <sub>1</sub>	Z	X	X <sub>1</sub>	X <sub>2</sub>
930	300	450	373	250	117	112	198	35	110	120	510	240	220	460	370	80	450
1450	300	450	373	250	117	112	198	35	110	120	540	240	220	460	370	90	460

**Handings are viewed from inlet side - 45 degree adjustable**



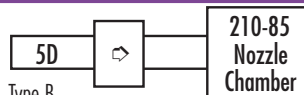
# SEAT 35



Ducted inlet/Ducted outlet  
Casing noise

R.P.M.	dB (A)	dB lin
1435	77,3	82,4

Noise ratings in accordance with ISO 5801.  
Visit our website for details.



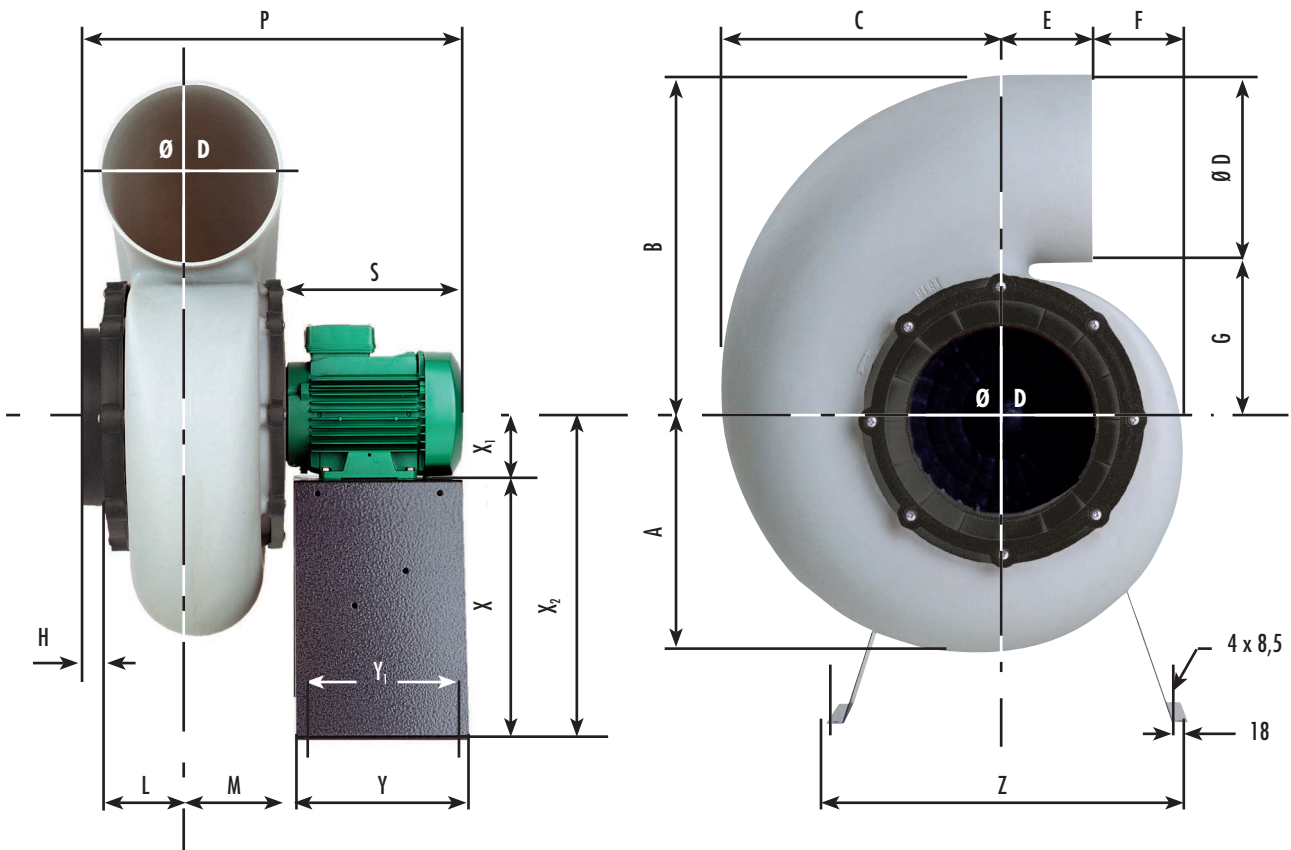
Type B  
Ducted outlet

R.P.M.	★ dB(A)	dB lin
730	67,8	76,1
950	74,1	82,2
1450	86	94,2
1720	90,7	98,1

Noise level in octaves (dB)

Freq. Octave Hz	1450 R.P.M. ★ 6000 m³/h	1450 R.P.M. ★ 10000 m³/h
125	74,5	74,5
250	68,2	72
500	68,4	76,1
1000	67,4	75,5
2000	61,2	70,9
4000	61,3	71,4

## LG POSITION ONLY

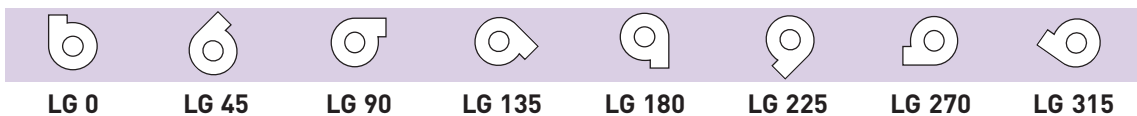


Available  
in **ATEX** version

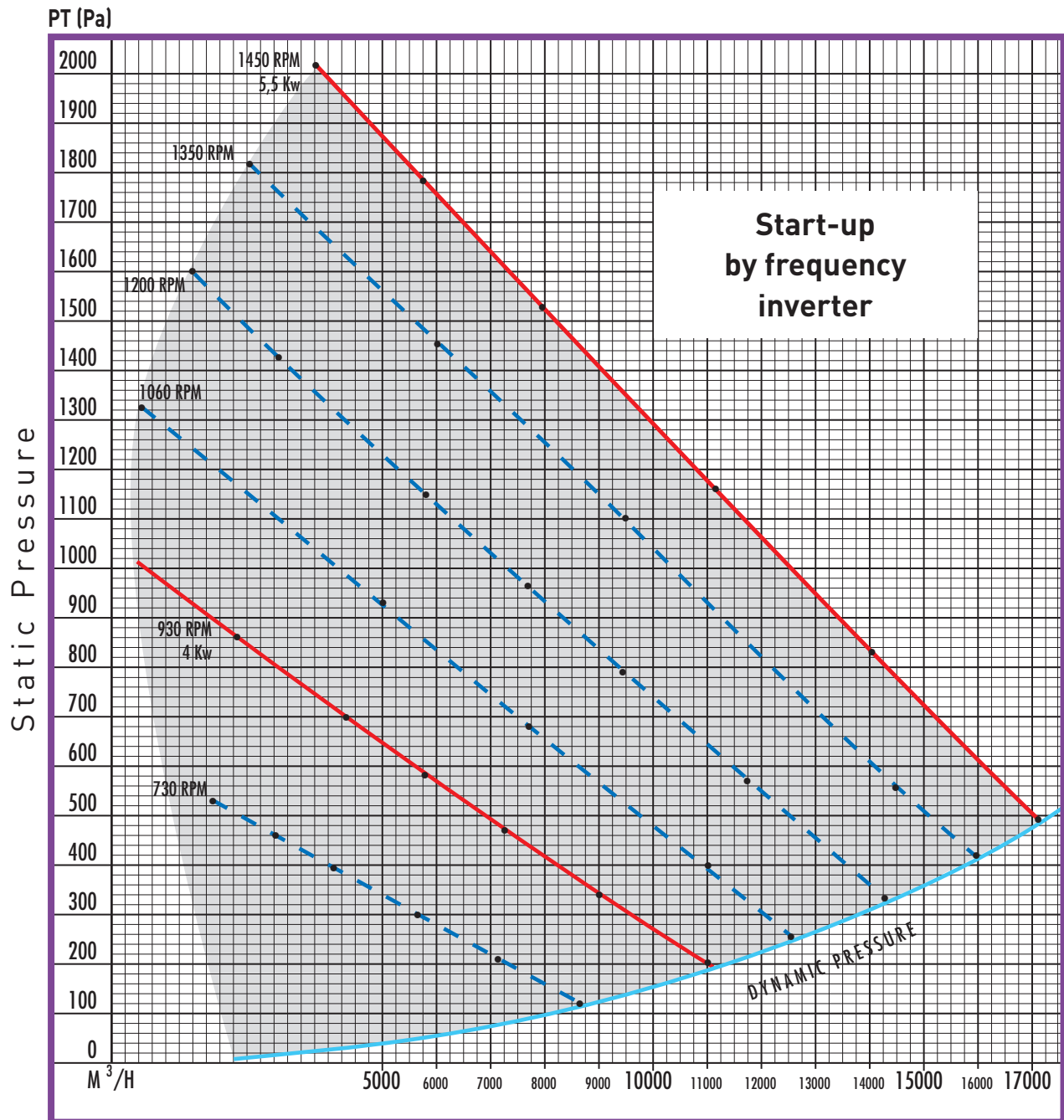
**Dimensional data (mm) - Metal stand does not come standard with fan (see accessories pricing).  
The motor frame size may vary upon type of motor used.**

RPM	A	B	C	Ø D	E	F	G	H	L	M	P	S	Y	Y <sub>1</sub>	Z	X	X <sub>1</sub>	X <sub>2</sub>
930	370	570	450	315	130	170	255	60	150	170	724	334	350	314	600	468	112	580
1450	370	570	450	315	130	170	255	60	150	170	792	402	350	314	600	468	112	580
1450 ATEX ou 7,5 kW	370	570	450	315	130	170	255	60	150	170	822	432	350	314	600	468	132	600

**Handings are viewed from inlet side - 45 degree adjustable**



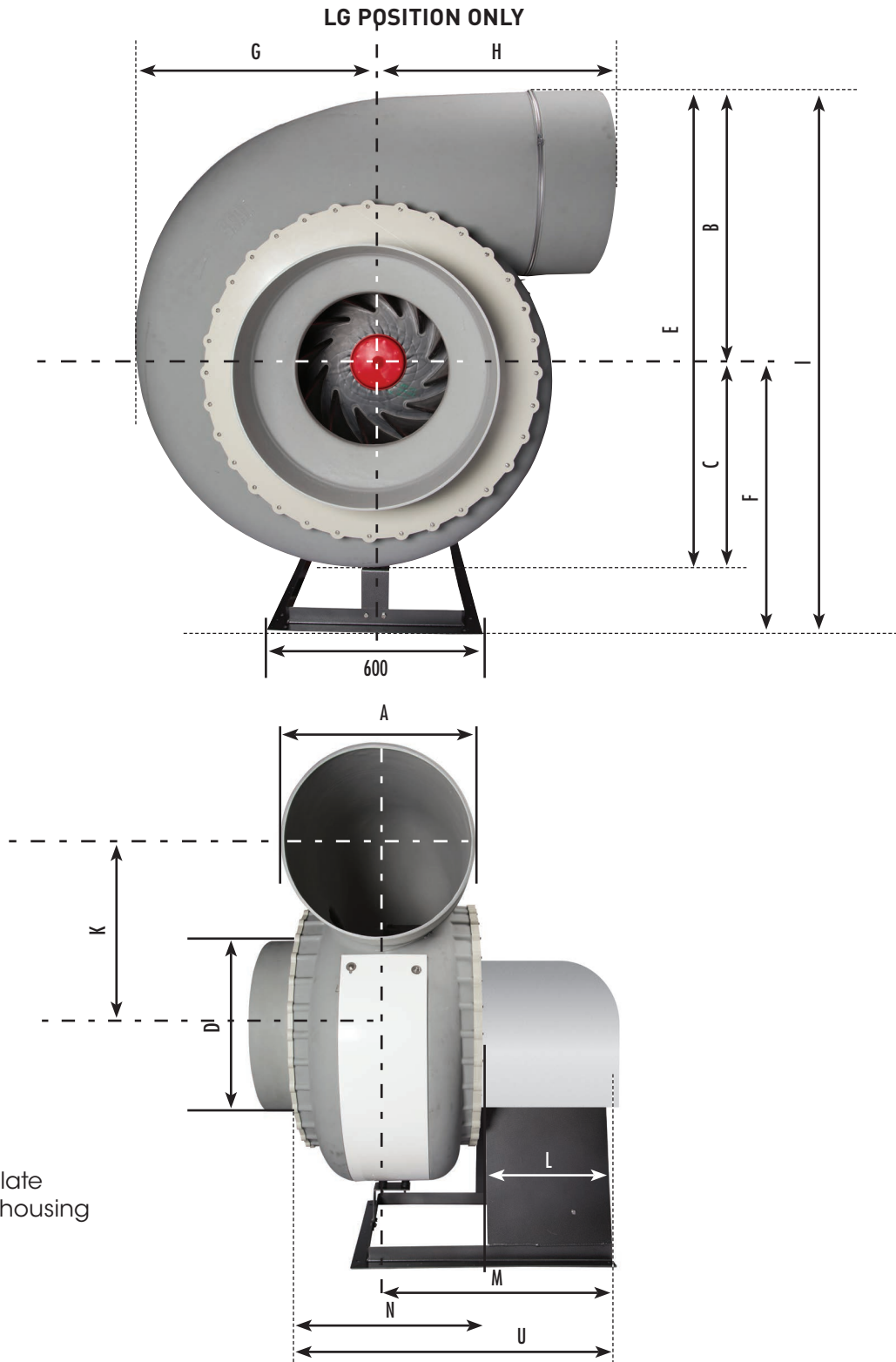
# SEAT 50



Noise ratings for N - 1 200 RPM

	qv (m³·h⁻¹)	AP stat (Pa)	63 Hz	125 Hz	250 Hz	500 Hz	1000 Hz	2000 Hz	4000 Hz	8000 Hz
Inlet + break out noise (dB)	7429	873	88,9	84,0	87,8	78,2	75,9	74,3	74,8	72,0
	9321	675	88,9	84,4	87,9	79,5	77,3	75,4	75,8	73,8
	11724	366	90,0	85,8	88,9	81,3	79,7	77,7	76,8	73,6
Break out noise (dB)	7429	873	82,9	73,6	73,7	69,0	68,6	60,6	60,1	55,2
	9321	675	85,5	76,7	74,9	70,3	70,3	61,7	60,9	56,2
	11724	366	86,6	79,6	78,7	72,5	72,3	64,2	62,3	56,7
Discharge noise (dB)	7429	873	85,5	91,3	86,3	81,0	78,7	73,6	73,0	72,3
	9321	675	85,8	91,1	87,3	82,7	80,7	75,2	73,6	72,3
	11724	366	86,1	91,9	89,2	85,7	84,1	78,5	75,0	72,3

N - 1 450 RPM & N - 930 RPM are available upon request



- Includes :**
- Protection plate around the housing
  - Metal stand

Handings are viewed from inlet side



**LG 0**



**LG 90**

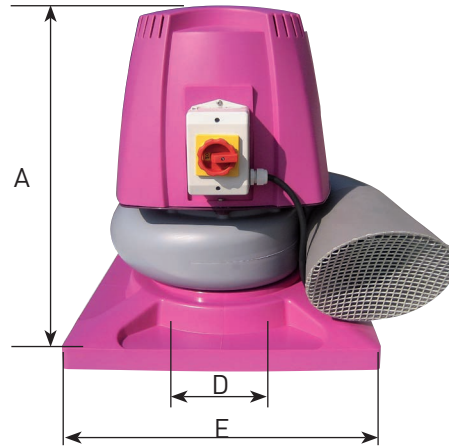
**Dimensions data (mm) - Metal stand included**

A	D	B	C	E	F	G	H	I	I LG90	K+F	K	L	M	N	U
500	600	765	550	1315	740	660	610	1350	1505	1255	515	400	715	620	1020

# ROOF MOUNTED SEAT SERIES

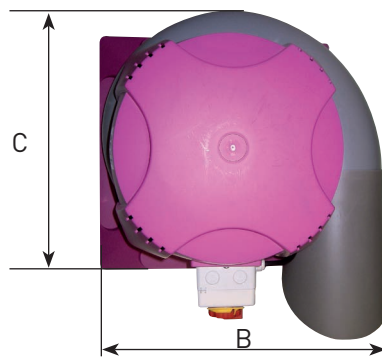
## Specifications

### 1 - Roof unit kit



#### Roof unit kit includes:

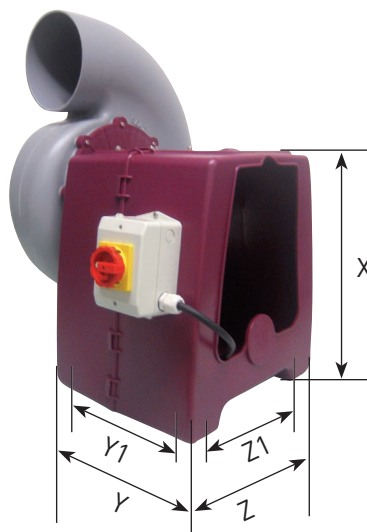
- 1 Cap bracket
- 1 Motor Cap
- 1 Switcher
- 1 Roof curb bar
- 1 Exhaust Guard



#### Dimensions (mm)

	A	B	C	D	E
KIT ROOF 15	550	560	560	125	547/547 int.
KIT ROOF 20	560	600	560	160	547/547 int.
KIT ROOF 25	590	680	595	200	547/547 int.
KIT ROOF 30	680	780	650	250	547/547 int.
KIT ROOF 35	880	950	850	315	700/700 int.

### 2 - Enclosed pedestal



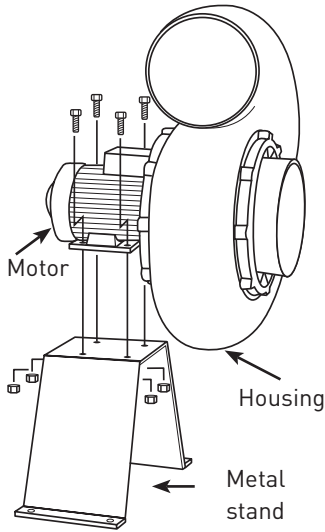
#### Dimensions (mm)

Fan	Type	X	Z	Y	Z1 DRILLING	Y1
SEAT 15/20/25 STORM 12/14	450	450	425	340	318	270
SEAT 25 2 P SEAT 30 STORM 16	550	550	425	340	318	270
SEAT 35	700	715	585	505	520	430

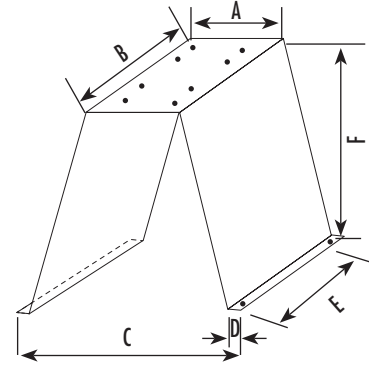


# INSTALLATION PRINCIPLES

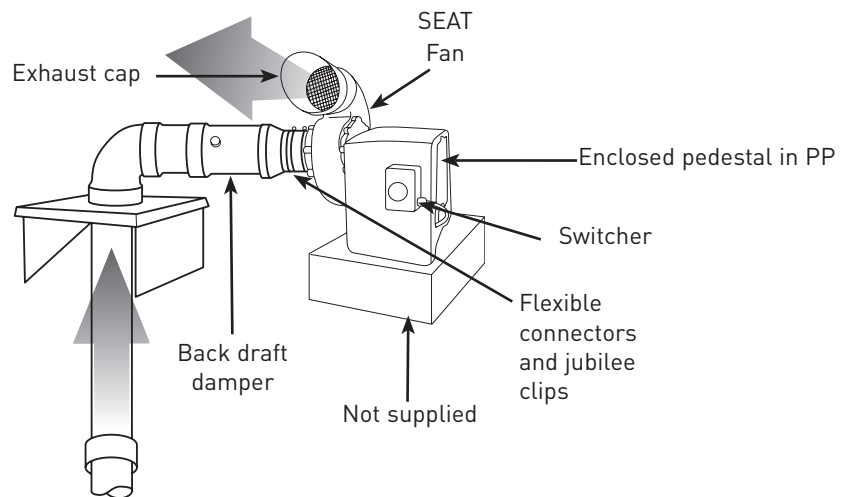
## Metal stand



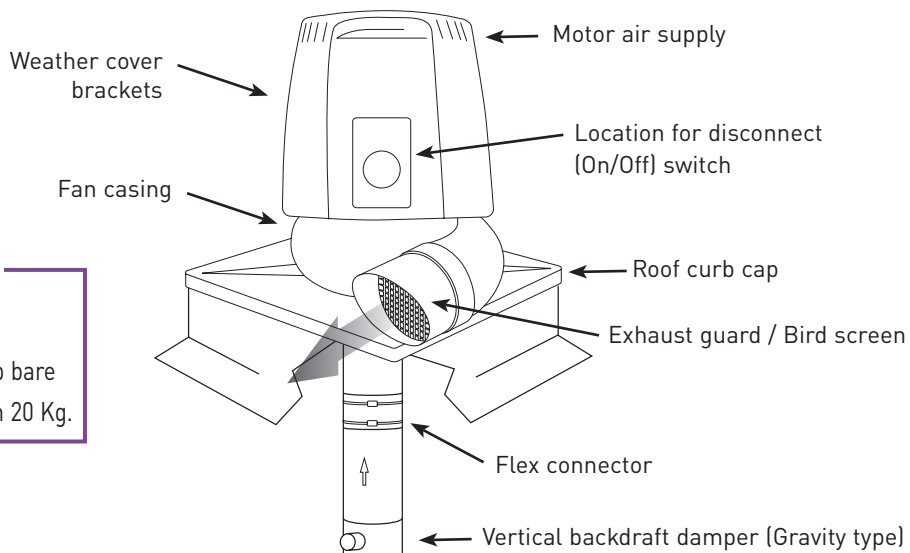
Dimensions (mm)						
Fan	A	B	C	D	E	F
SEAT 15-20	190	180	320	20	160	240
SEAT 25	190	180	400	20	160	300
SEAT 25 (2P)	190	180	400	20	160	300
SEAT 30	200	240	440	20	220	350
SEAT35	300	350	600	20	310	468



## Enclosed pedestal



## Roof unit



### WARNING

Reinforce the base before placing the roof curb bare for a motor weight more than 20 Kg.

## Specifications



### Fan type

In line centrifugal roof curb mounted with vertical discharge

### Applications

Suitable for operation in highly corrosive applications such as laboratory exhaust or the chemical industry.



### Housings: PP

Single back strong high density UV treated and recyclable polypropylene (PPH) with no air leakage. All fan mounting hardware in stainless steel.



### Wheels: PP

Forward curved centrifugal type impeller made of injection molded PPH. Fan wheel supplied with motor shaft bushing and hub cap constructed of PPH. Wheels electronically and dynamically balanced to ISO 1940.



### Motors

Direct drive, asynchronous, single or three phase, IP55. Single speed: three phase 230/400V-50/60 Hz, single phase 230V-50Hz. Explosion proof motors available on request. Motor is outside the corrosive airstream and accessible by removal of outer housing. Three phase motors speed adjustable by variable frequency inverter drive..



### ATEX

SEAT Series Fans are also available in ATEX Zone II, known outside Europe as explosion proof category 3 G execution in accordance with ATEX directive 94/9/CE. ATEX declaration of conformity available on our web site [www.seat-ventilation.com](http://www.seat-ventilation.com). The performances curves of explosion proof fans are identical with the ones of the standard version.

### Temperature resistance

PPH casing and wheel recommended up to 60°C.

### Performance

Fan performance based on tests conducted in accordance with AMCA 210-85 and ISO 5801.

### Warranty


SEAT VENTILATION warrants its equipment to be free from defects in workmanship and material under normal use and service for two years after shipment. Warranty is void if damage results from improper wiring or installation.



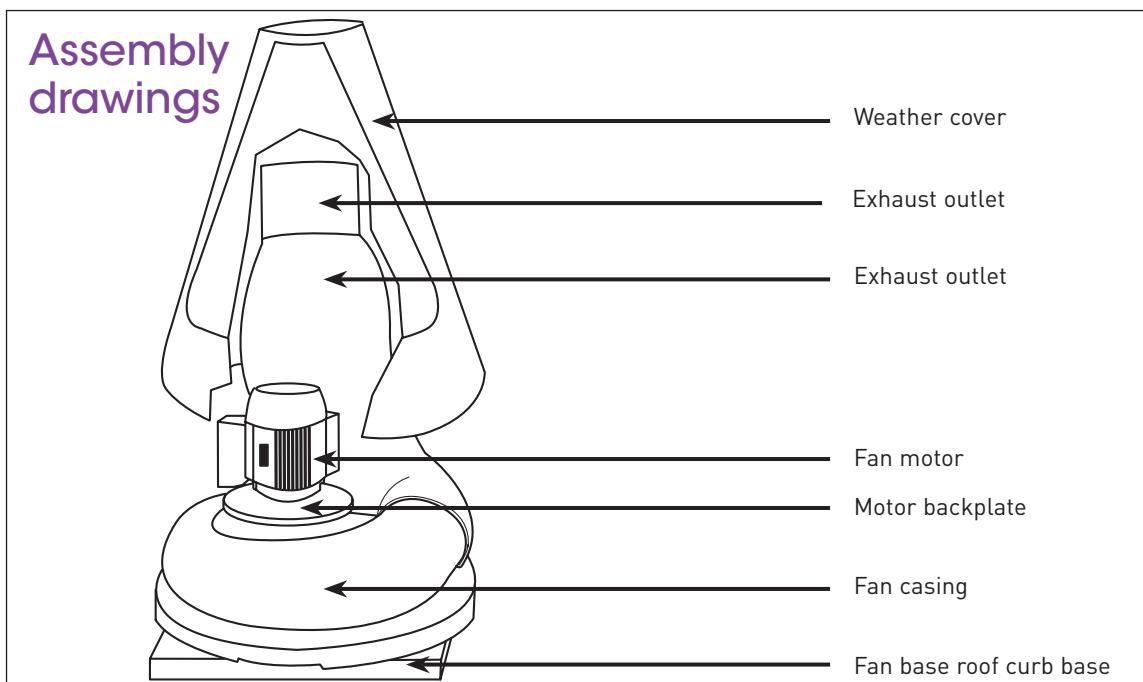
## Electrical data and weight\*

	RPM (T/min)	(kW)	(V)	AMP draw (A)	Weight (Kgs)	Reference
<b>Single Phase</b>						
JET 20	1500	0,25	230	2,5	21,40	71202010
	3000	0,75	230	5,4	22,60	71203010
JET 25	1500	0,37	230	3,1	23,00	71252010
JET 30	1500	1,50	230	6,87	41,80	71302010

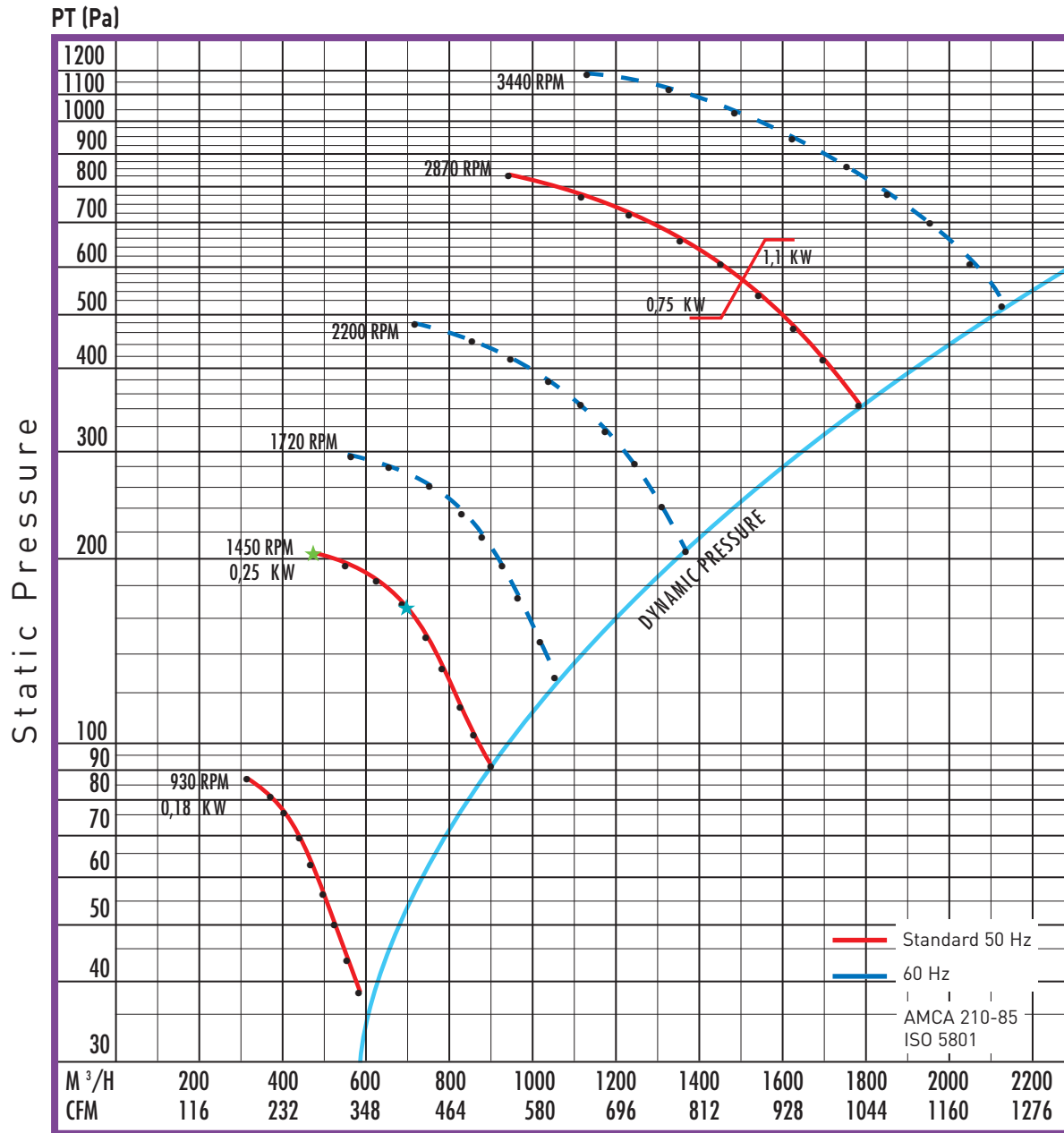
<b>Three Phase</b>						
JET 20	1000	0,18	230/400	1,5/0,85	21,70	71201000
	1500	0,25	230/400	1,7/0,96	21,00	71202000
	3000	0,75	230/400	3,2/1,9	23,40	71203000
	3000	1,10	230/400	4,7/2,7	27,90	71203001
JET 25	1000	0,18	230/400	0,21/0,7	21,40	71251000
	1500	0,37	230/400	3,1/1,8	21,20	71252000
	3000	2,20	230/400	8,8/5,1	41,20	71253000
	3000	3,00	230/400	10,3/6	45,60	71253300
JET 30	1000	0,55	230/400	3/1,8	41,40	71301000
	1500	1,10	230/400	4,7/2,7	45,50	71302000

<b>ATEX </b>						
JET 20 ATEX	1000	0,18	230/400	1,06/0,61	22,30	71201003
	1500	0,18	230/400	0,97/0,56	22,30	71202003
	3000	0,75	230/400	3,3/1,9	26,00	71203003
JET 25 ATEX	1000	0,18	230/400	1,5/0,85	29,00	71251003
	1500	0,37	230/400	1,7/1	30,00	71252003
	3000	2,20	230/400	8/4,6	40,90	71253003
JET 30 ATEX	1500	1,10	230/400	5,7/3,3	43,70	71302003

\*Tabulated current values are approximate and depend on make and model of the motor.



# JET 20



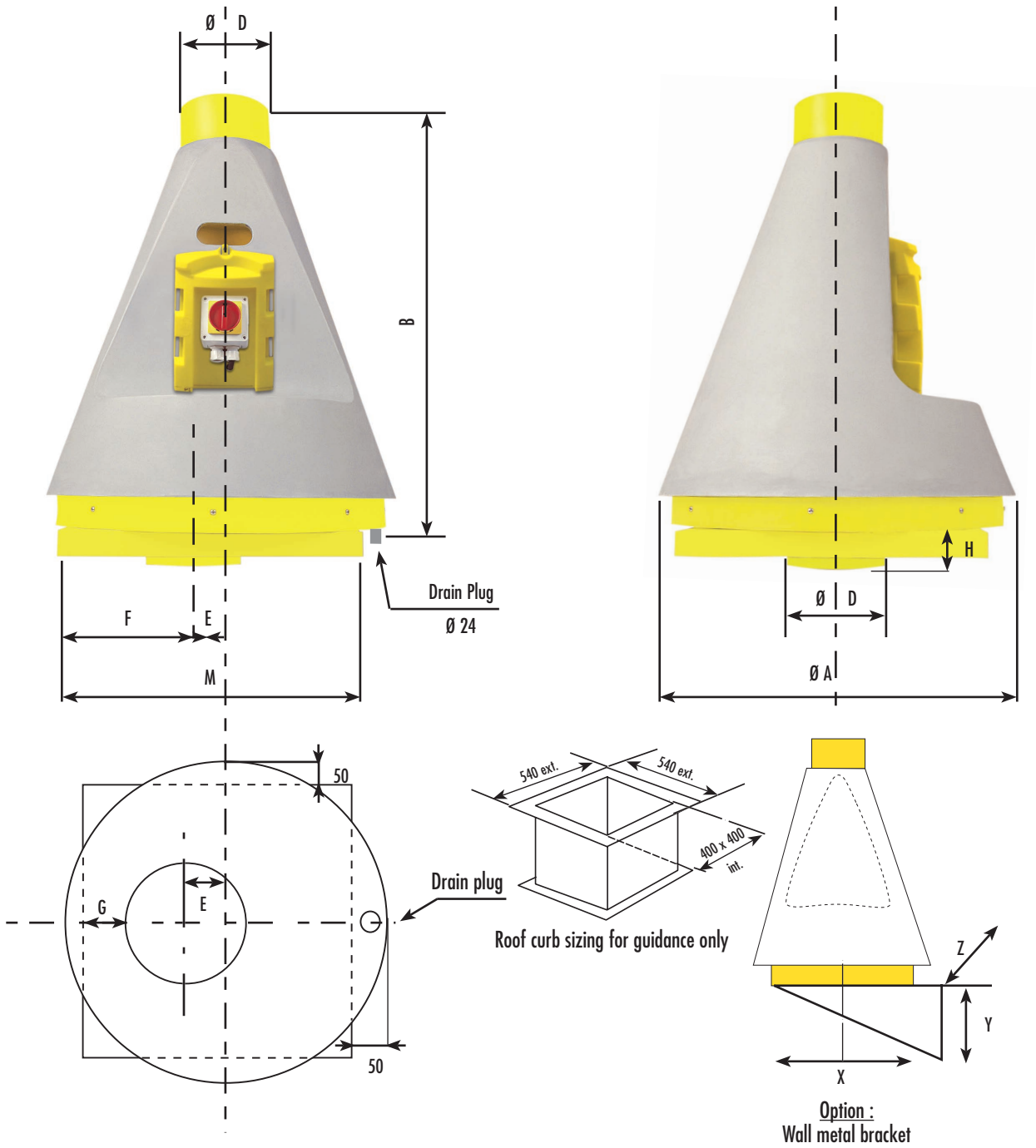
Noise level in octaves (dB)

Freq. Octave Hz	1450 R.P.M. ★ 470 m³/h	1450 R.P.M. ★ 700 m³/h
125	66	70
250	69	71
500	67	67
1000	63	66
2000	58	58
4000	54	57

R.P.M.	LWA dB(A)
950	60,3
★ 1450	70,3
2900	85,1



Free inlet/Free outlet  
Noise level test type A.  
Visit our website for details.

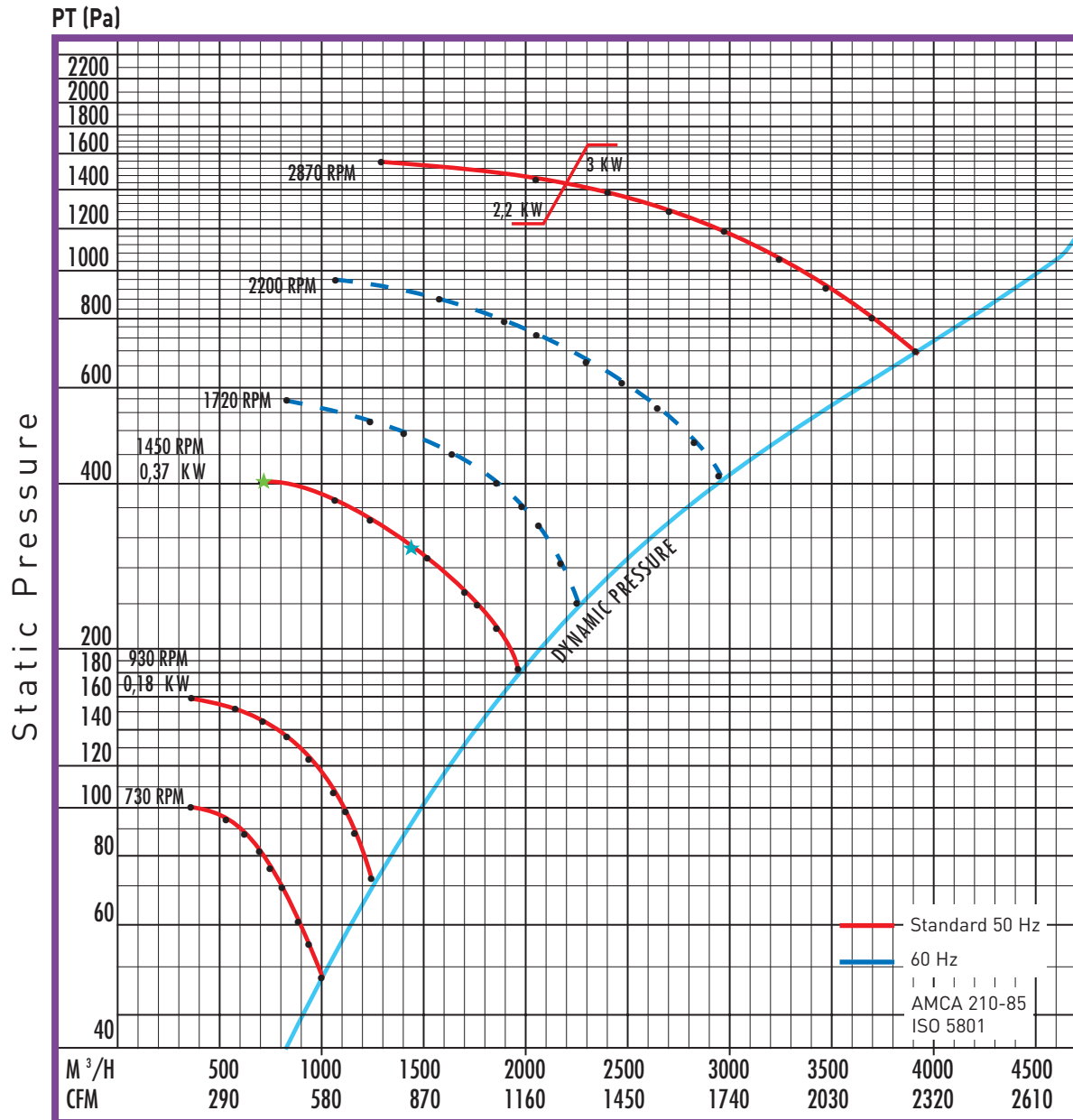


Available  
in **ATEX** version

### Dimensional data (mm)

A	B	Ø D	E	F	G	H	X	Y	Z	M
600	800	160	50	250	160	70	280	350	400	540-540 mm

# JET 25



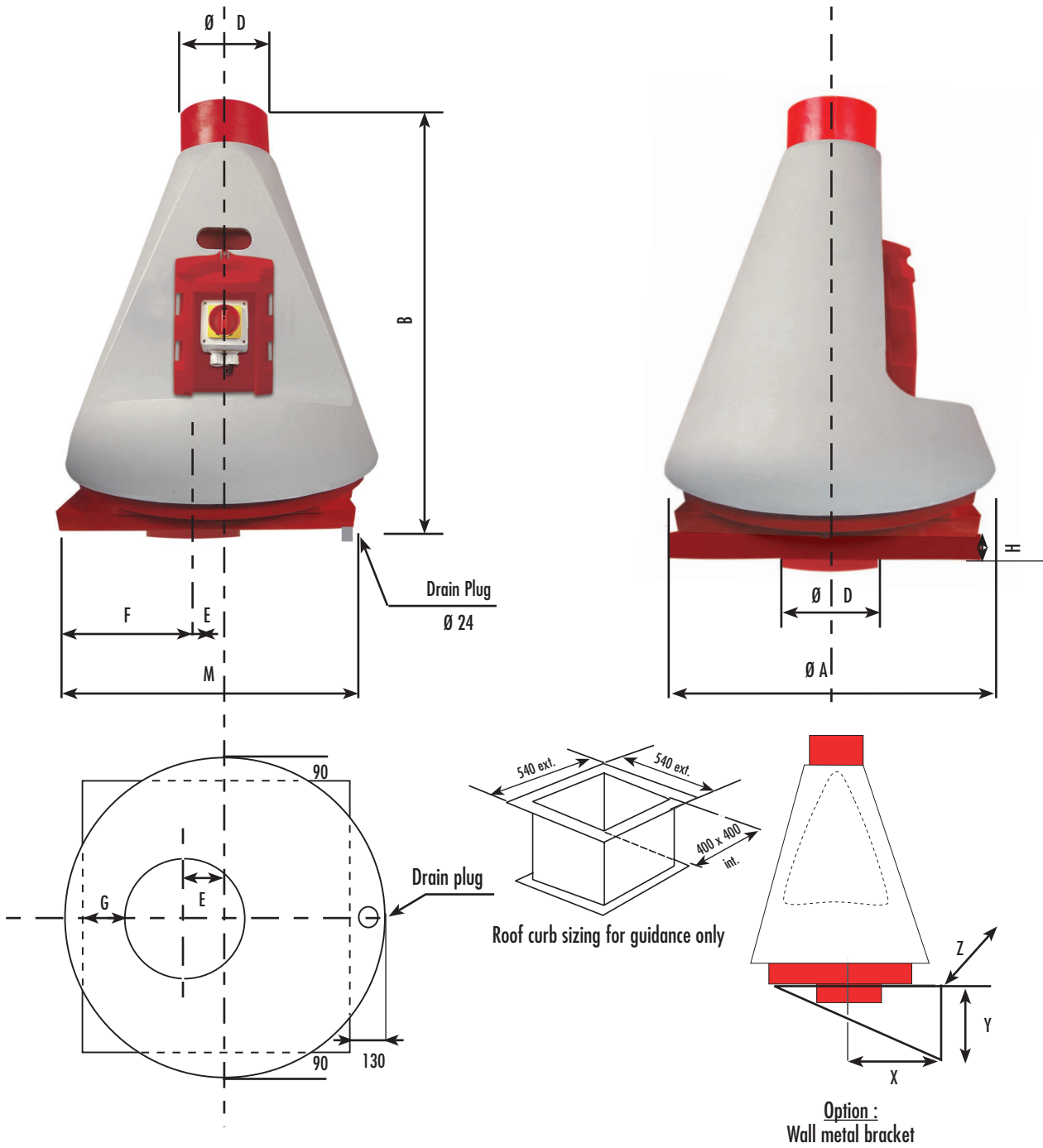
Free inlet/Free outlet  
Noise level test type A.  
Visit our website for details.

R.P.M.	LWA dB(A)
950	66,2
★ 1450	76,0
2900	90,6

Noise level in octaves (dB)

Freq. Octave Hz	1450 R.P.M. ★ 650 m <sup>3</sup> /h	1450 R.P.M. ★ 1360 m <sup>3</sup> /h
125	73	79
250	71	74
500	70	73
1000	70	73
2000	62	64
4000	65	63

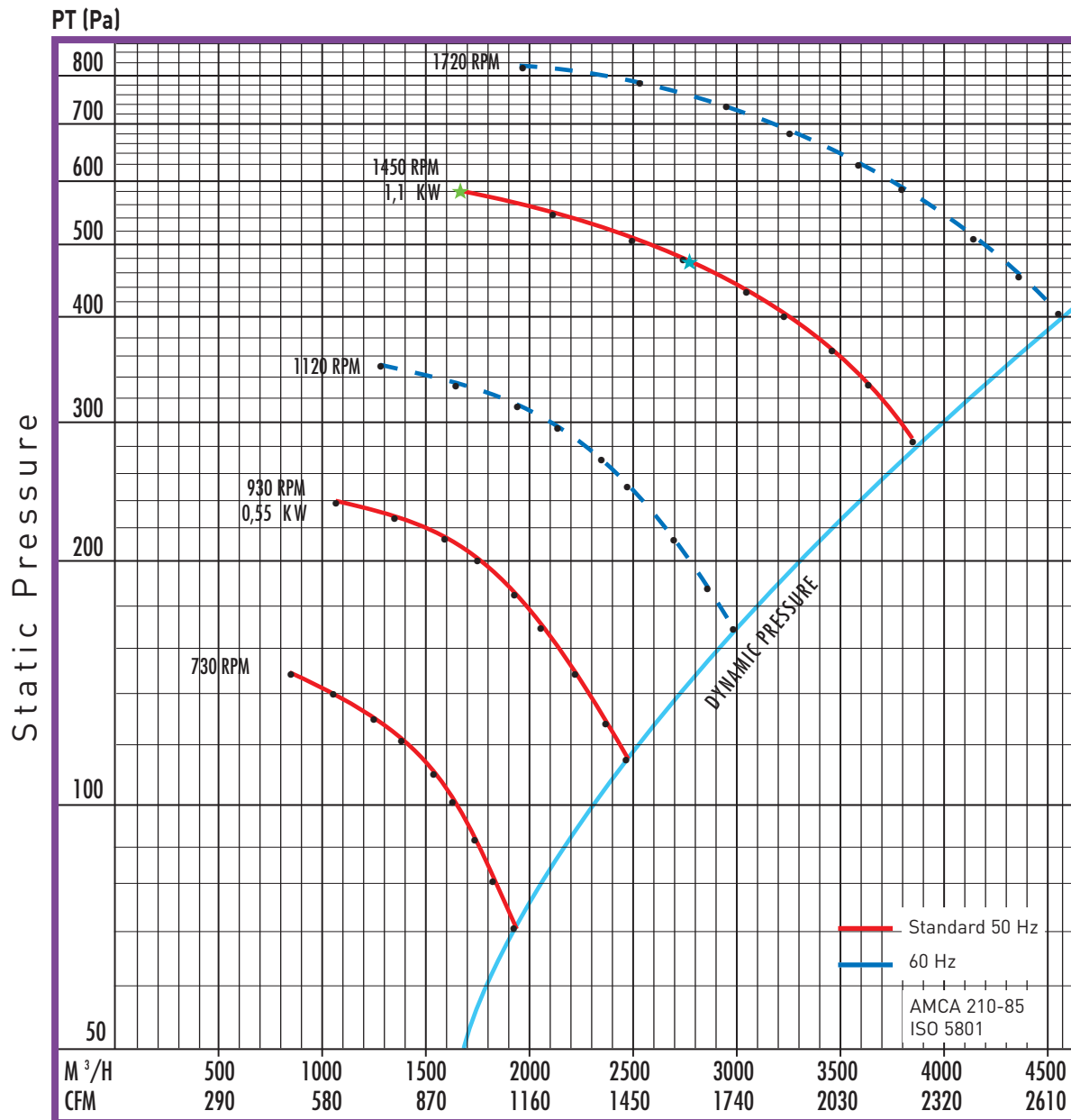




Available  
in **ATEX** version

Dimensional data (mm)											
A	B	Ø D	E	F	G	H	I	X	Y	Z	M
735	900	200	60	240	145	25	55	330	350	510	540-540 mm

# JET 30

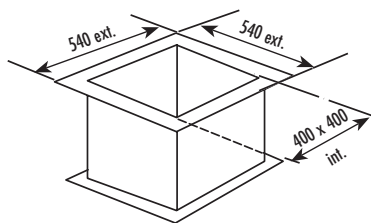
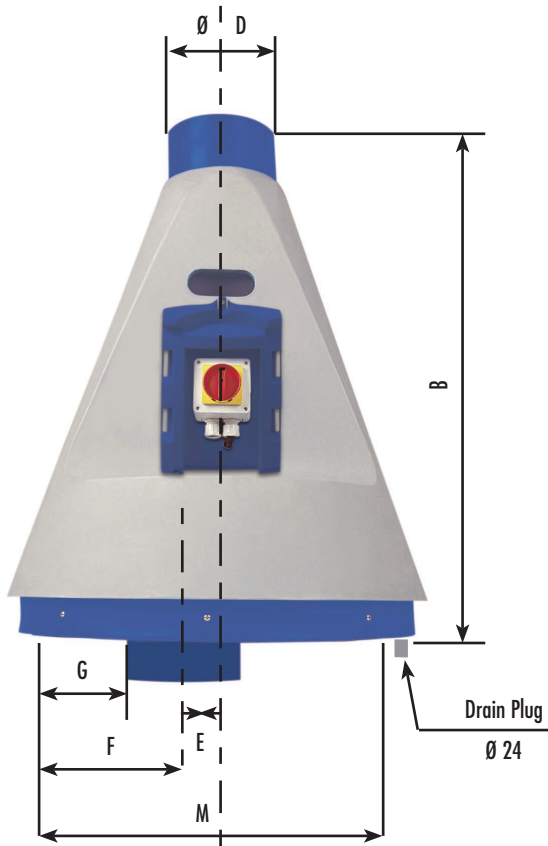


Free inlet/Free outlet  
Noise level test type A.  
Visit our website for details.

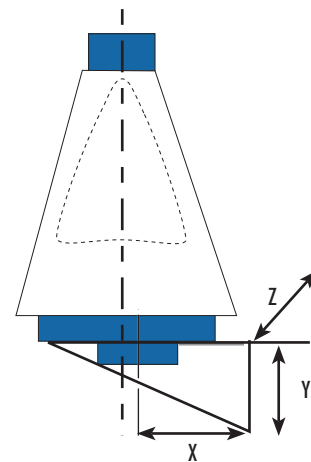
R.P.M.	LWA dB(A)
950	73,1
★ 1435	82,8

Noise level in octaves (dB)

Freq. Octave Hz	1450 R.P.M. ★ 1595 m³/h	1450 R.P.M. ★ 2730 m³/h
125	79	87
250	78	81
500	77	80
1000	76	78
2000	72	74
4000	66	70



Roof curb sizing for guidance only



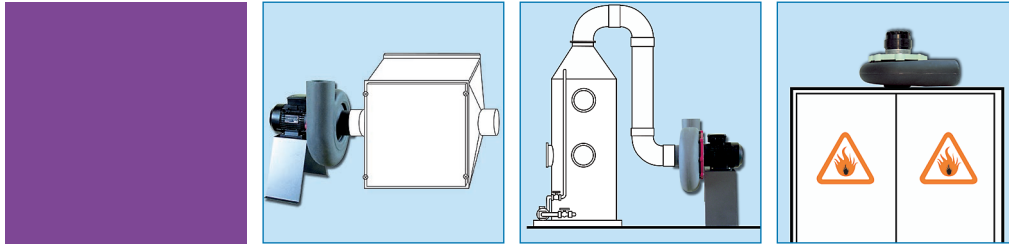
Option :  
Wall metal bracket

Available  
in **ATEX** version

### Dimensional data (mm)

A	B	Ø D	E	F	G	H	G'	X	Y	Z	M
880	1040	250	70	200	75	70	130	400	400	600	540-540 mm

## Specifications



### Applications

Ventilation of safety cabinets (STORM 10), scrubbers, fume capture arms, filter housing, etc. (STORM 12, 14, 16).

### Housings: PP\*

Single block strong high density UV treated and recyclable polypropylene (PPH) with no air leakage. All fan mounting hardware in stainless steel. Rotatable to any of 8 standard discharge positions by 45° increments.

\* with the exception of STORM 10: PE.



### Wheels: PP

Forward curved centrifugal type impeller made of injection molded PPH. Fan wheel supplied with motor shaft bushing and hub cap constructed of PPH. Wheels electronically and dynamically balanced. LG/CCW rotation only.



### Motors

Direct drive, asynchronous, single or three phase, IP55. Single speed: three phase 230/400V-50/60 Hz, single phase 230V-50Hz. Explosion proof motors available on request. Motor is outside the corrosive airstream. Three phase motors speed adjustable by variable frequency inverter drive. STORM 10 is also available with external rotor IP 20 motor for quiet performance.



### Motor support

Several options: no stand, metal stand or polypropylene motor pedestal.



### ATEX

SEAT Series Fans are also available in ATEX Zone II, known outside Europe as explosion proof, category 3 G execution in accordance with ATEX directive 94/9/CE. ATEX declaration of conformity available on our web site [www.seat-ventilation.com](http://www.seat-ventilation.com). The performances curves of explosion proof fans are identical with the ones of the standard version.

### Performance

Fan performance based on tests conducted in accordance with AMCA 210-85 and ISO 5801.

### Temperature resistance

PPH casing and wheel recommended up to 60°C.

### Warranty


SEAT VENTILATION warrants its equipment to be free from defects in workmanship and material under normal use and service for two years after shipment. Warranty is void if damage results from improper wiring or installation.

# STORM Series

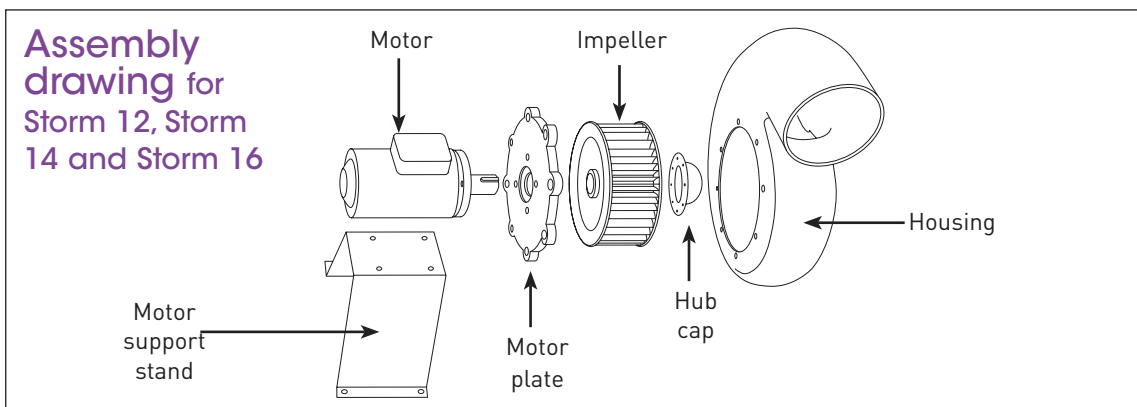
## Electrical data and weight\*

	RPM (T/min)	(kW)	(V)	AMP draw (A)	Weight (Kgs)	Reference
<b>Single phase</b>						
STORM 10	1250	0,06	230	0,31	2,10	61102010
	1500	0,06	230	1,12	2,70	61102010
	3000	0,12	230	1,20	4,40	61103010
STORM 12	1500	0,25	230	2,50	7,80	61122010
	3000	0,37	230	3,10	5,60	61123010
STORM 14	3000	1,10	230	5,40	12,80	61143010

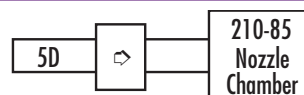
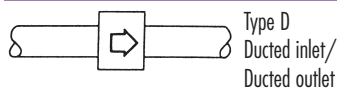
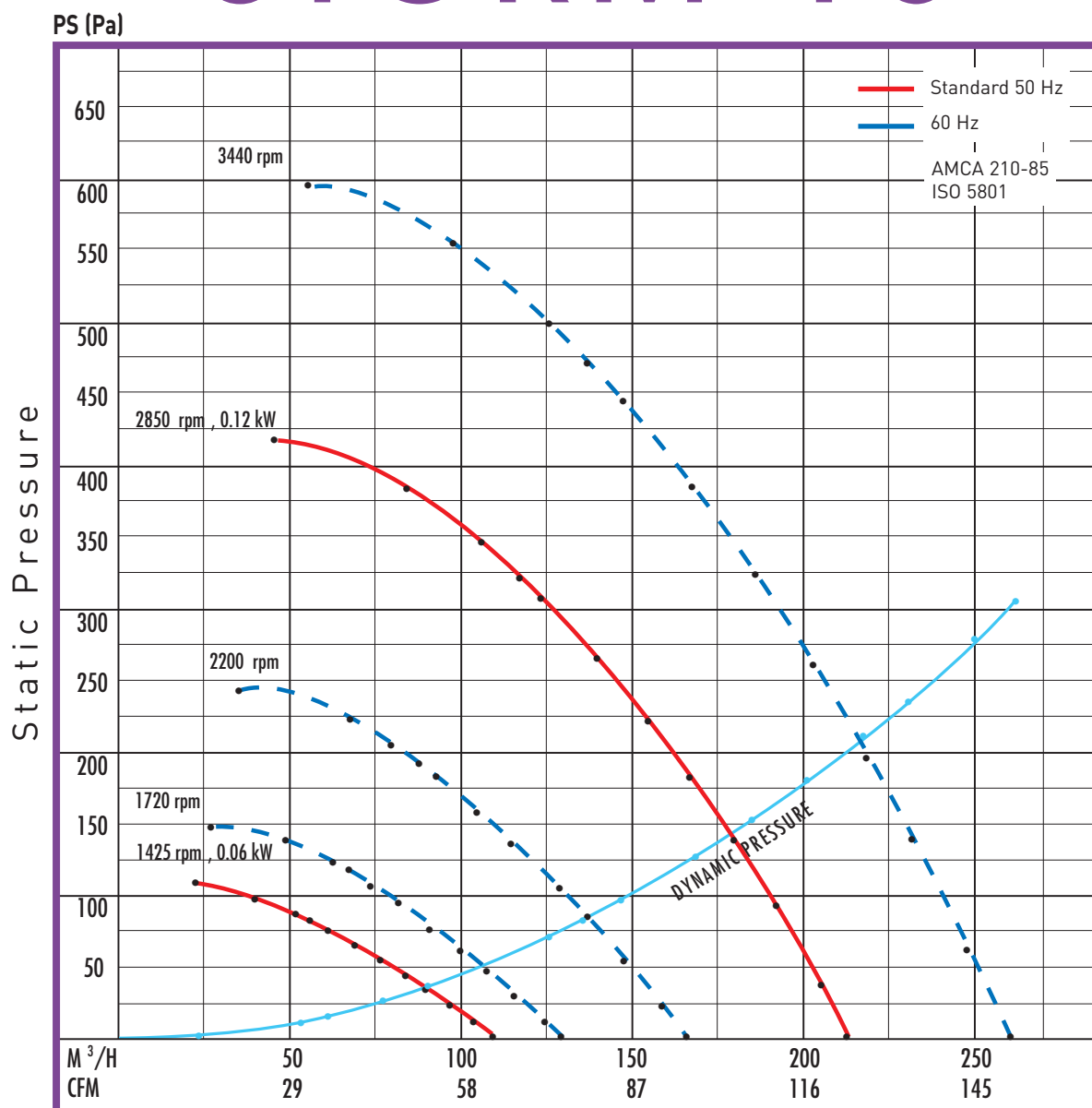
<b>Three phase</b>						
STORM 10	1500	0,09	230/400	0,63/0,37	3,50	61102000
	3000	0,12	230/400	0,80/0,46	5,30	61103000
STORM 12	1400	0,18	230/400	1,13/0,65	8,60	61122000
	1400	0,25	230/400	1,70/0,96	7,30	61122000
	3000	0,37	230/400	1,68/0,96	7,40	61123000
STORM 14	3000	1,10	230/400	4,70/2,70	15,70	61143000
STORM 16	3000	2,20	230/400	8,80/5,10	22,60	61163000

<b>ATEX </b>						
STORM 10 ATEX	1500	0,06	230/400	0,61/0,35	5,00	61102003
	3000	0,12	230/400	0,69/0,4	5,30	61103003
STORM 12 ATEX	3000	0,37	230/400	1,64/0,95	12,30	61123003
STORM 14 ATEX	3000	1,10	230/400	4,33/2,5	15,40	61143003
STORM 16 ATEX	3000	2,20	230/400	8,00/4,60	29,70	61163003

\*Tabulated current values are approximate and depend on make and model of the motor.



# STORM 10



Housing and motor noise level when fan is running near maximum output

n (T/min) R.P.M.	Global dB	Global dB (A)
1435	62,9	51,6
1720	68,1	56,5
2870	81,1	69,6
3440	85,5	74,4

Noise level type B.  
Visit our website for details.

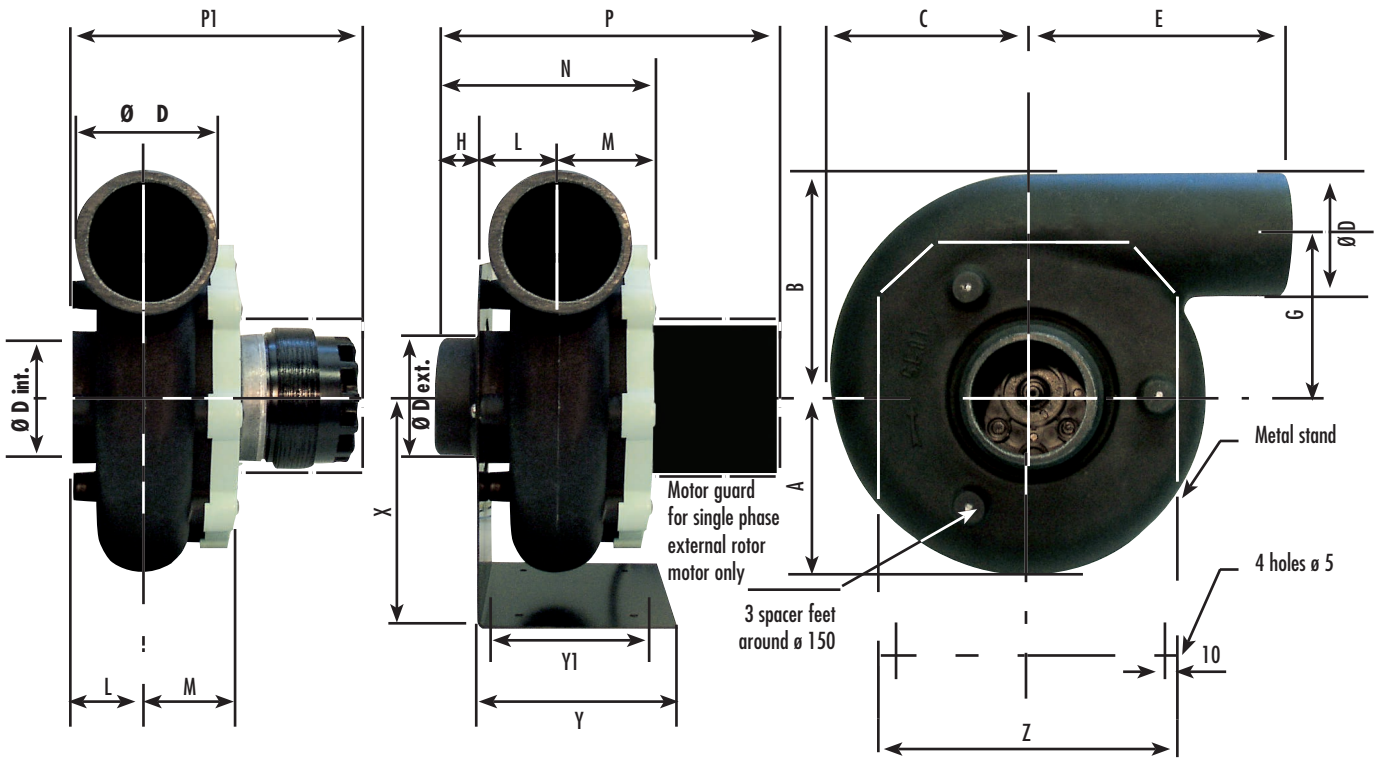
R.P.M.	dB(A)	dB
1435	52,3	61,6
1720	57,1	67,4
2870	69,7	80,8
3440	74,1	85,2

Noise level in octaves (dB)

Frequency Hz	1435 R.P.M.	1720 R.P.M.	2870 R.P.M.	3400 R.P.M.
250	49,8	54,5	66,9	73,2
500	45,2	49,6	64,8	69,3
1000	49,8	53,1	60,3	64,4

(ISO 13347)

# STORM 10



LG POSITION ONLY

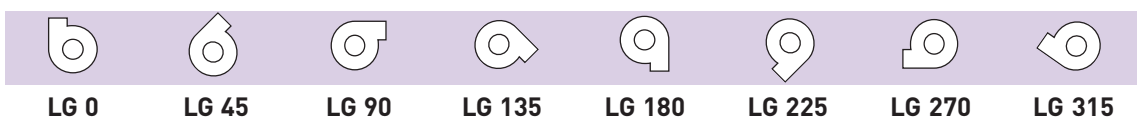
Available  
in **ATEX** version

Dimensional data (mm). Metal stand does not come standard with fan (see accessories pricing).  
The motor frame size may vary upon type of motor used.

A	B	C	Ø D	E	G	H	L	M	N	Y	Y1	Z	X
115	135	127	75	158	97	32	48	57	137	120	100	165	135

Motor type		
	P1	P
Single phase, rotor exterior, IP20 with cover	173	205
ATEX Three phase	262	295
Three phase, IP55	253	285

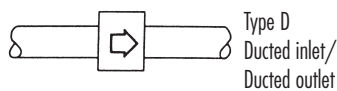
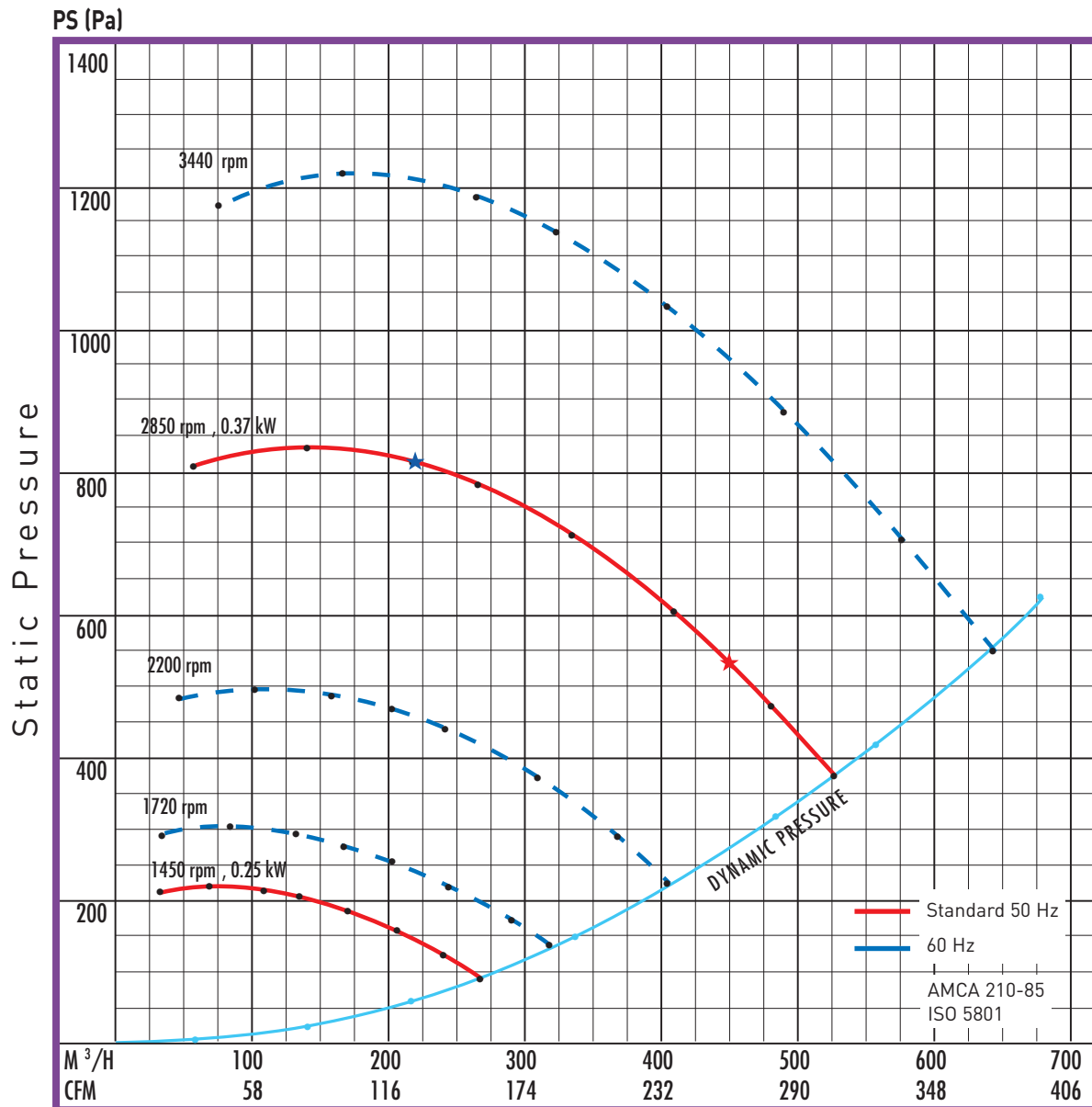
Handings with IP55 motor type are viewed from inlet side - 45 degree adjustable



LG 0 and LG 90 are handings with IP20 motor type.

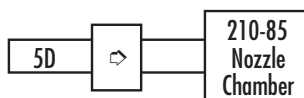


# STORM 12



Housing and motor noise level when fan is running near maximum output

n (T/min) R.P.M.	Global dB	Global dB (A)
1450	60,4	56,8
1720	65,2	61,5
2850	76,8	74
3300	80,5	77,8



Noise level type B.  
Visit our website for details.

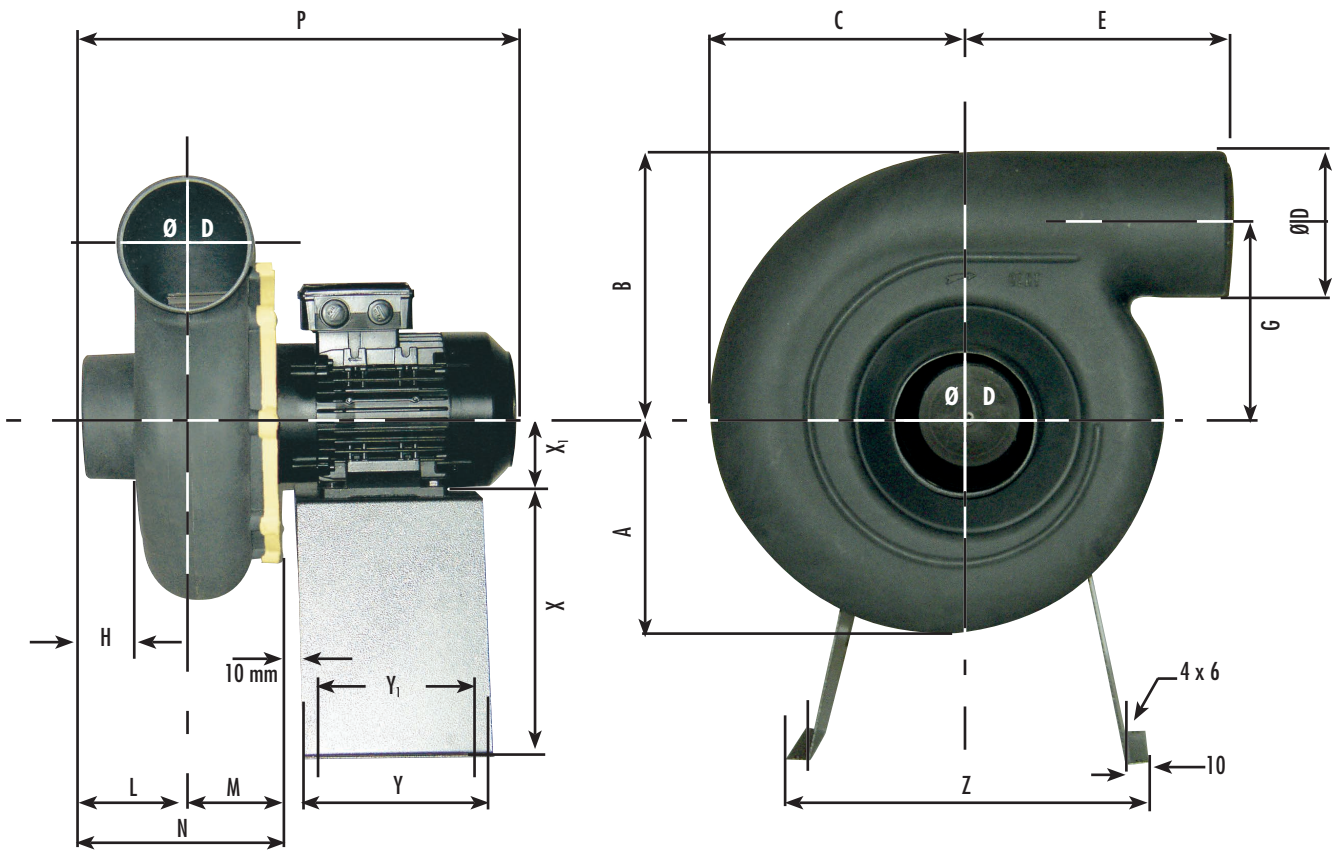
R.P.M.	★ dB(A) ★	dB
1450	69,9 71,7	82 83,9
1720	73,5 75,3	86,9 87,6
2850	84,2 85,8	98,7 98,1
3300	87,4 88,8	101,9 100,9

(ISO 13347)

Noise level in octaves (dB)

Frequency Hz	1450 R.P.M.	1720 R.P.M.	2870 R.P.M.	3300 R.P.M.
50	79,9	83,2	92,5	95,6
100	71,9	75,6	88,5	91,4
250	63,6	74,5	76,4	81,9
500	66,4	72,4	72,6	83,1
1000	55,7	62,5	76,4	81,9
2500	47,7	52,2	63,3	69,6
5000	43,3	47,7	62,4	66,3
10000	41,4	45,7	58	61,9

# STORM 12



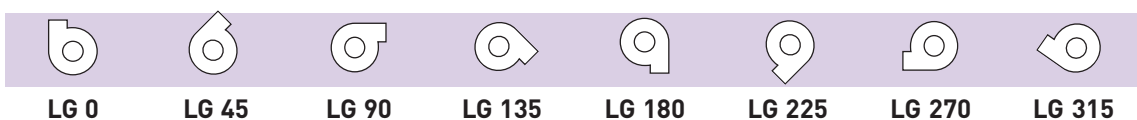
LG POSITION ONLY

Available  
in **ATEX** version

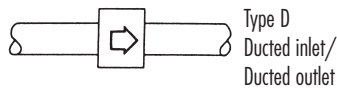
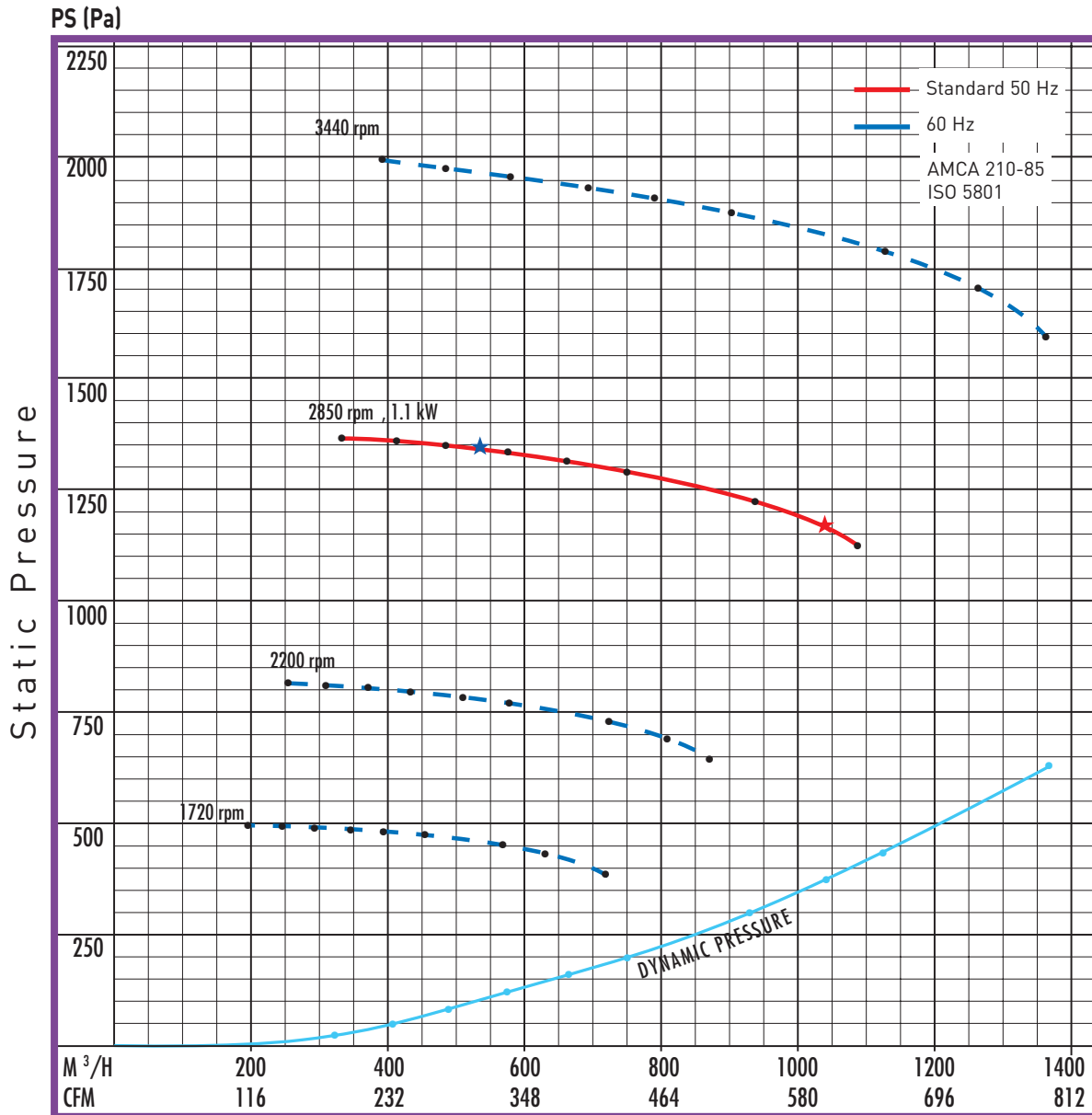
Dimensional data (mm). Metal stand does not come standard with fan (see accessories pricing).  
The motor frame size may vary upon type of motor used.

A	B	C	Ø D	E	G	H	L	M	N	P	Y	Y <sub>1</sub>	Z	X	X <sub>1</sub>
145	175	163	90	212	130	45	80	72	152	350	180	160	340	240	71

Handings with IP55 motor type are viewed from inlet side - 45 degree adjustable

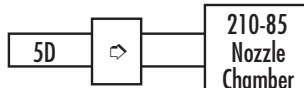


# STORM 14



Housing and motor noise level when fan is running near maximum output

n (T/min) R.P.M.	Global dB	Global dB (A)
1450	65,4	61,1
1720	69,1	69,1
2850	82,1	78
3300	86,7	81,8



Noise level type B.  
Visit our website for details.

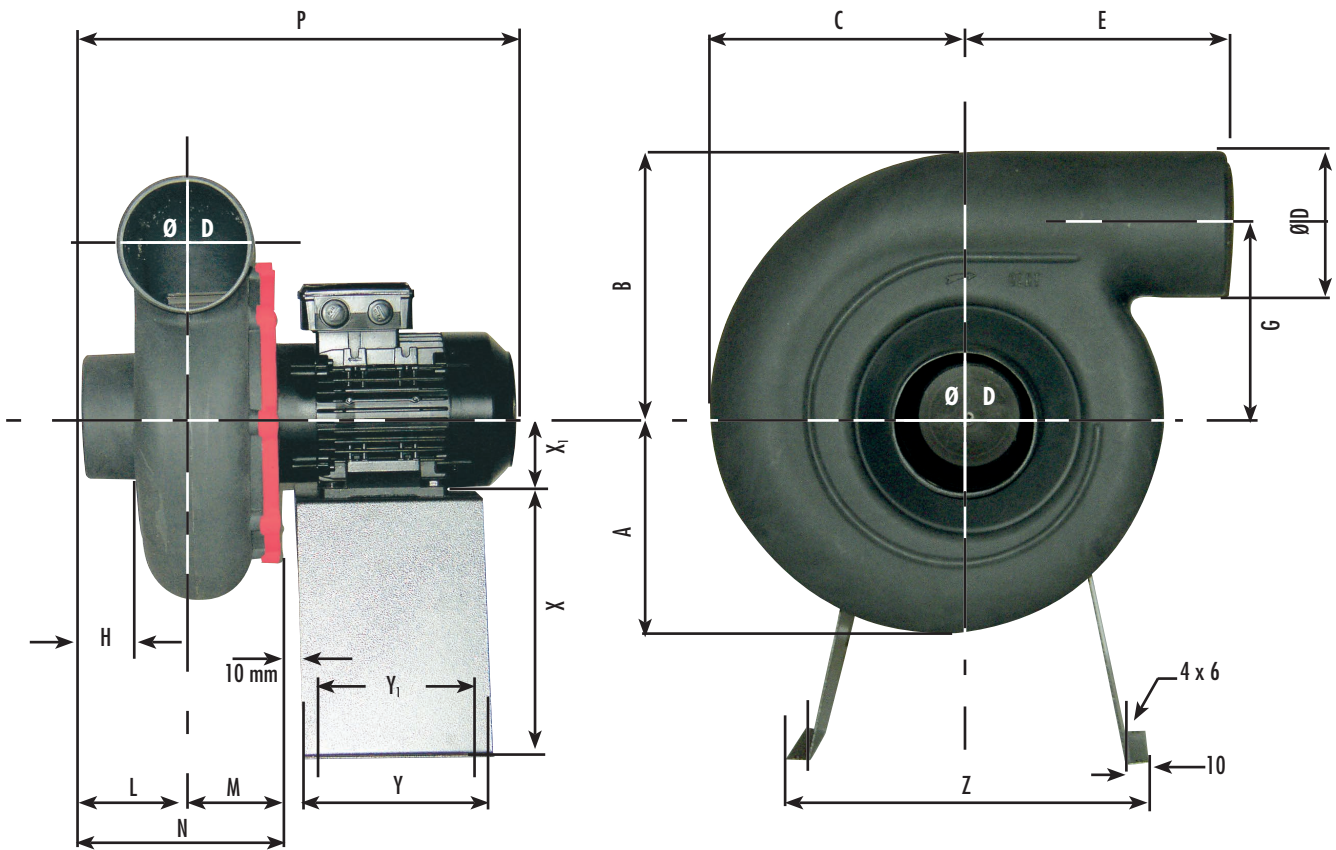
R.P.M.	★ dB(A) ★	dB
1450	72,5 75	87,2 87,3
1720	76,4 78,8	93,1 90,8
2850	88,1 89,3	109,3 105,8
3300	91,3 93,1	112,4 110,5

(ISO 13347)

Noise level in octaves (dB)

Frequency Hz	1450 R.P.M.	1720 R.P.M.	2870 R.P.M.	3300 R.P.M.
50	81,5	86	104,7	107,9
100	76,9	80,1	90,2	94,2
250	74,7	70,5	87,3	87
500	69,1	72,9	84,1	79,3
1000	61,4	67,5	80	83,2
2500	54,6	59	71,8	76,9
5000	50	54,3	69,3	73,2
10000	48,3	52,6	64,7	68,5

# STORM 14



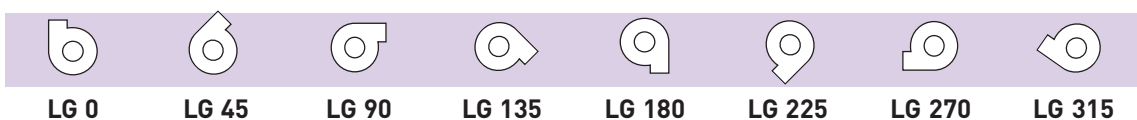
LG POSITION ONLY

Available  
in **ATEX** version

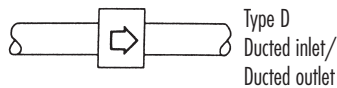
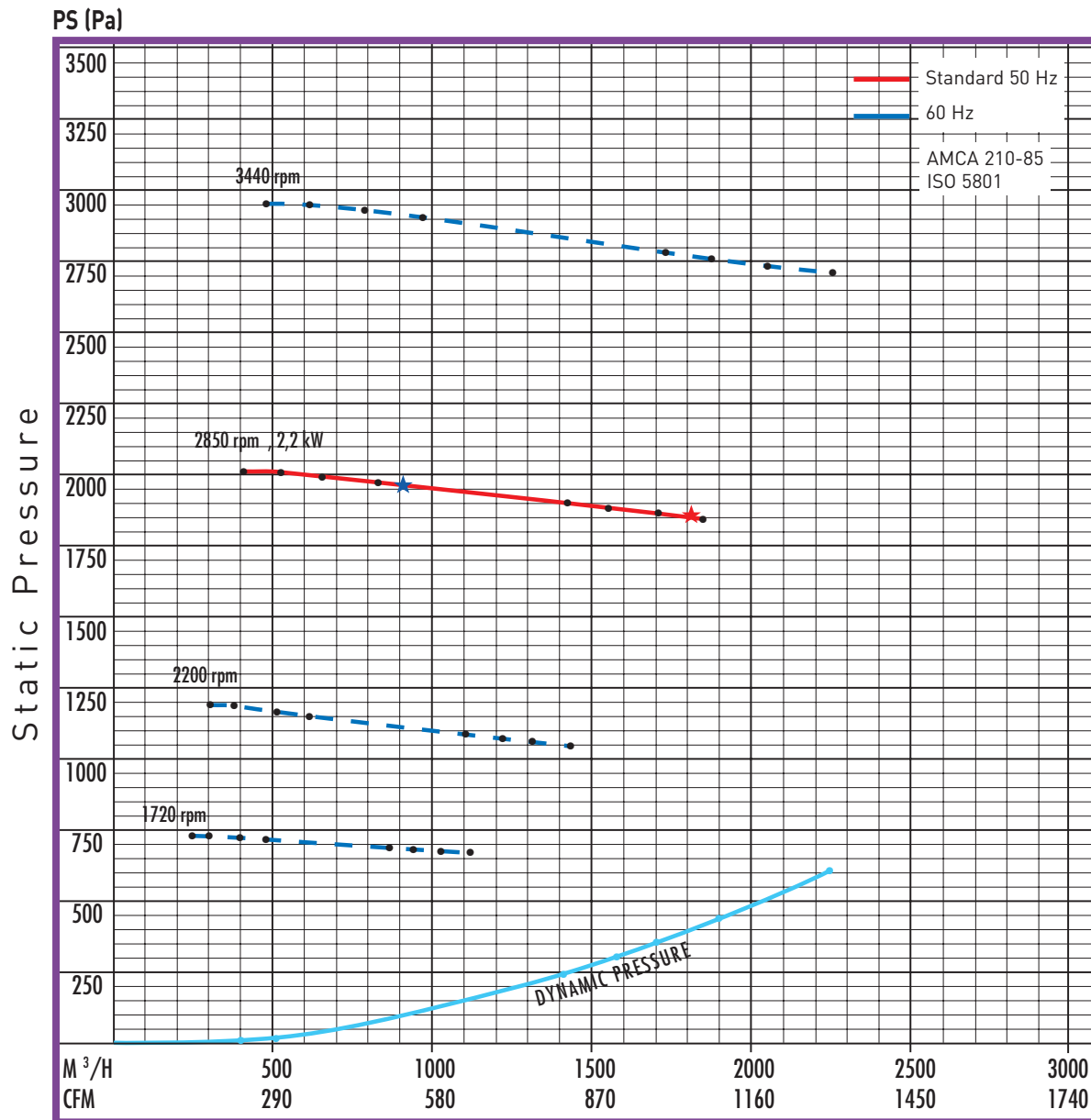
Dimensional data (mm). Metal stand does not come standard with fan (see accessories pricing).  
The motor frame size may vary upon type of motor used.

A	B	C	Ø D	E	G	H	L	M	N	P	Y	Y <sub>1</sub>	Z	X	X <sub>1</sub>
188	232	227	125	218	170	55	110	83	193	433	180	160	340	240	80

Handings with IP55 motor type are viewed from inlet side - 45 degree adjustable

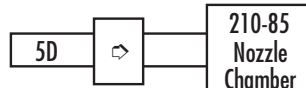


# STORM 16



Housing and motor noise level when fan is running near maximum output

n (T/min) R.P.M.	Global dB	Global dB (A)
1450	90,6	77,7
1720	99,1	81,8
2850	115,8	93,8
3300	119	97



Noise level type B.  
Visit our website for details.

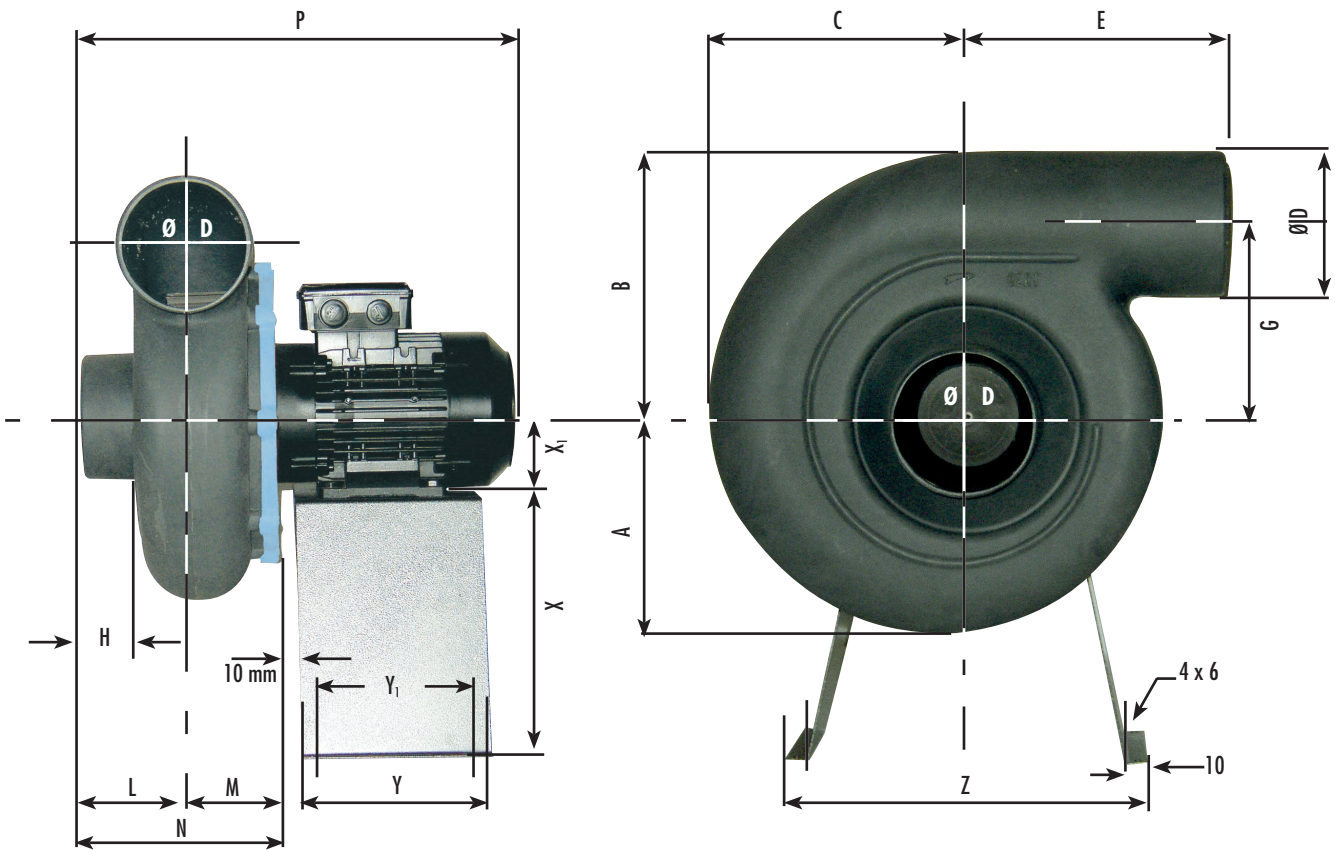
R.P.M.	★ dB(A) ★	dB
1450	77,7 79,3	90,6 92,6
1720	81,8 83,3	99,1 98,2
2850	93,8 94,8	115,8 110
3300	97 98,2	119 114,2

(ISO 13347)

Noise level in octaves (dB)

Frequency Hz	1450 R.P.M.	1720 R.P.M.	2870 R.P.M.	3300 R.P.M.
50	85,5	95,8	107,9	111,1
100	87	83,2	94,2	104
250	74,3	80,1	94	97,3
500	70,9	75,3	84,1	89,3
1000	69,2	73,6	83,4	87,3
2500	62,9	67	80,3	84,7
5000	57,8	64,2	77,5	81,2
10000	49,7	56,1	72,5	78,4

# STORM 16



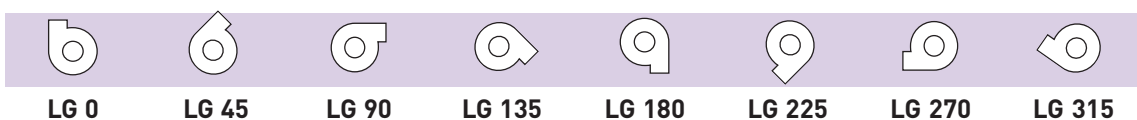
LG POSITION ONLY

Available  
in **ATEX** version

Dimensional data (mm). Metal stand does not come standard with fan (see accessories pricing).  
The motor frame size may vary upon type of motor used.

A	B	C	Ø D	E	G	H	L	M	N	P	Y	Y <sub>1</sub>	Z	X	X <sub>1</sub>
235	288	278	160	262	205	40	100	97	197	477	240	160	420	300	90

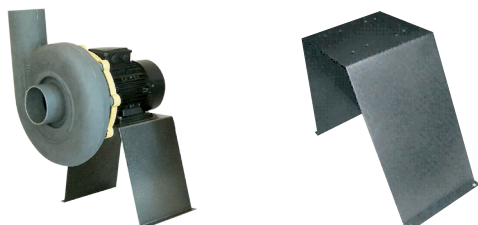
Handings with IP55 motor type are viewed from inlet side - 45 degree adjustable





# ACCESSORIES

## Metal stand\*



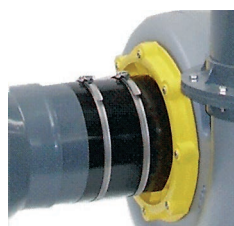
(\*dimensions on page 23)

## Enclosed pedestal (PP)



Available in **ATEX** version

## Flexible connectors (PVC) and jubilee clips in stainless steel (PVC)



Diameters (mm)							
Connectors	Ø 75	Ø 90	Ø 125	Ø 160	Ø 200	Ø 250	Ø 315
Clips	-	-	Ø 125	Ø 160	Ø 200	Ø 250	Ø 315

Available in **ATEX** version

## Switcher 0,8 m (IP65)



Available in **ATEX** version

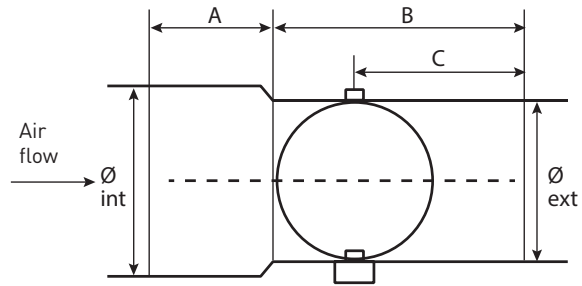
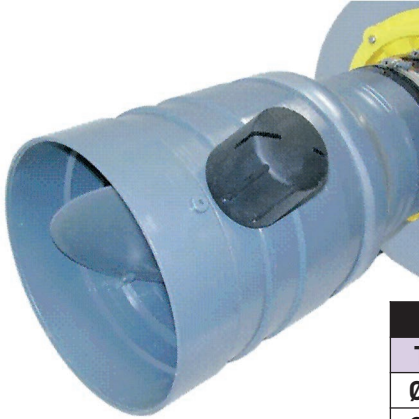
## Reducers (PVC)



Dimensions (mm) - Female/Female						
Ø 125/160	Ø 125/200	Ø 160/200	Ø 200/250	Ø 200/315	Ø 250/315	Ø 315/400

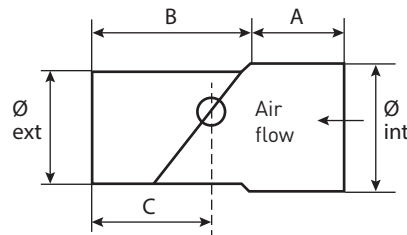


## Adjustable damper (PVC)



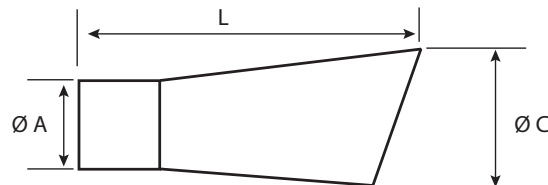
Dimensions (mm)					
Type	A	B	C	Ø int.	Ø ext.
Ø 125	60	130	80	125	125
Ø 160	60	145	90	160	160
Ø 200	60	160	100	200	200
Ø 250	60	165	100	250	250
Ø 315	60	170	100	315	315

## Backdraft damper (PVC)



Dimensions (mm)					
Type	A	B	C	Ø int.	Ø ext.
Ø 125	60	160	110	125	125
Ø 160	60	200	130	160	160
Ø 200	60	210	140	200	200
Ø 250	60	260	170	250	250
Ø 315	60	290	180	315	315

## Exhaust cap (PP)

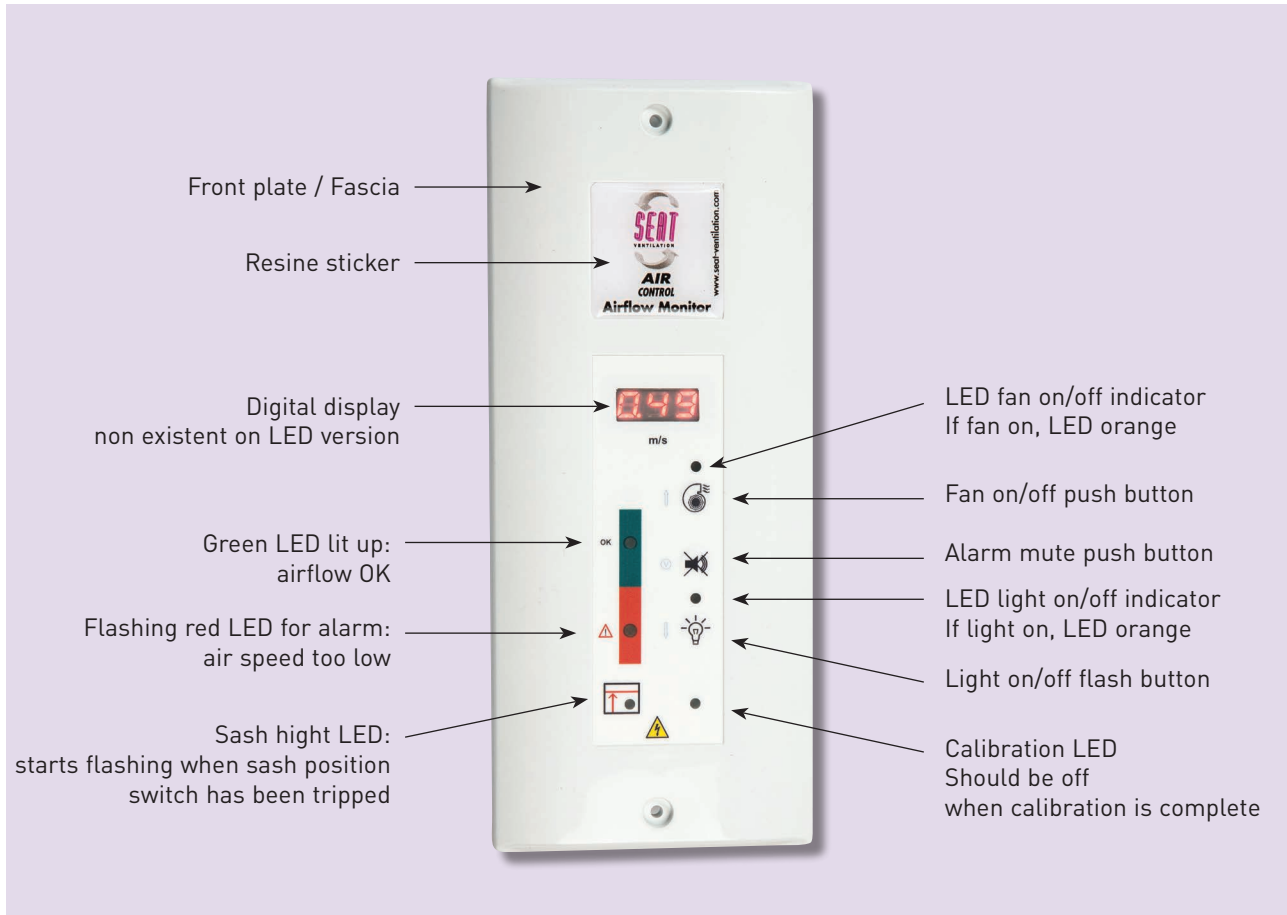


Dimensions (mm)			
Type	Ø A	L	Ø C
125	125	160	155
160	160	200	215
200	200	210	240
250	250	260	305
315	315	450	390

Available in **ATEX** version

## SEAT AIRCONTROL

Variable air volume controllers  
EN 14-175/RoHS compliant



### Type and advantages

#### Type A

- Easy to use and install
- EN 14- 175 compliant (part 2)
- Cost effective

#### Type C

- Energy savings: only the lowest amount of air is exhausted
- User confort: low air speeds ensures reduced noise level
- Flexibility: fan speed can be adjusted at any moment
- Simple wiring: the VAV system and inverter
- EN 14-175 compliant (part 6)

### Futures

- Audible alarm and led visual
- Digital display of air velocity in meter per second (m/s) or feet per minute (digital version only)
- 3 push buttons: fan ON/OFF, light ON/OFF and alarm mute
- Factory precalibrated
- High precision numerical airflow sensor
- Sash high contact
- Alarm relay, battery back up optional
- Available in vertical or horizontal configuration (version A/ LED only)
- White color

**Same as controller type A + VAV control system to inverter or damper.**

# CONTROLLERS AND INVERTERS

## Inverters



SEAT distributes a range of electronic frequency inverters to precisely match the fan speed to suit your installation. These units comply with the latest European standards and are complete with emc filters.

Type	(kW)	(A)
V400 - 220V 3ph*	0,40	2,20
V750 - 220V 3ph*	0,75	4,00
V1100 - 220V 3ph*	1,10	5,20
V1500 - 220V 3ph*	1,50	7,00
V2200 - 220V 3ph*	2,20	9,60

\* 380 V - Three phase on request

### Advantages

- Energy savings
- Reduction in magnetic and ventilation noise
- Longer life cycle
- Easy to install and minimum maintenance

### Features

- Variation: voltage and frequency
- Range: 500 rpm to 1.2 nominal speed
- 2 pole motor: 500 to 3400 RPM
- 4 pole motor: 400 to 1700 RPM

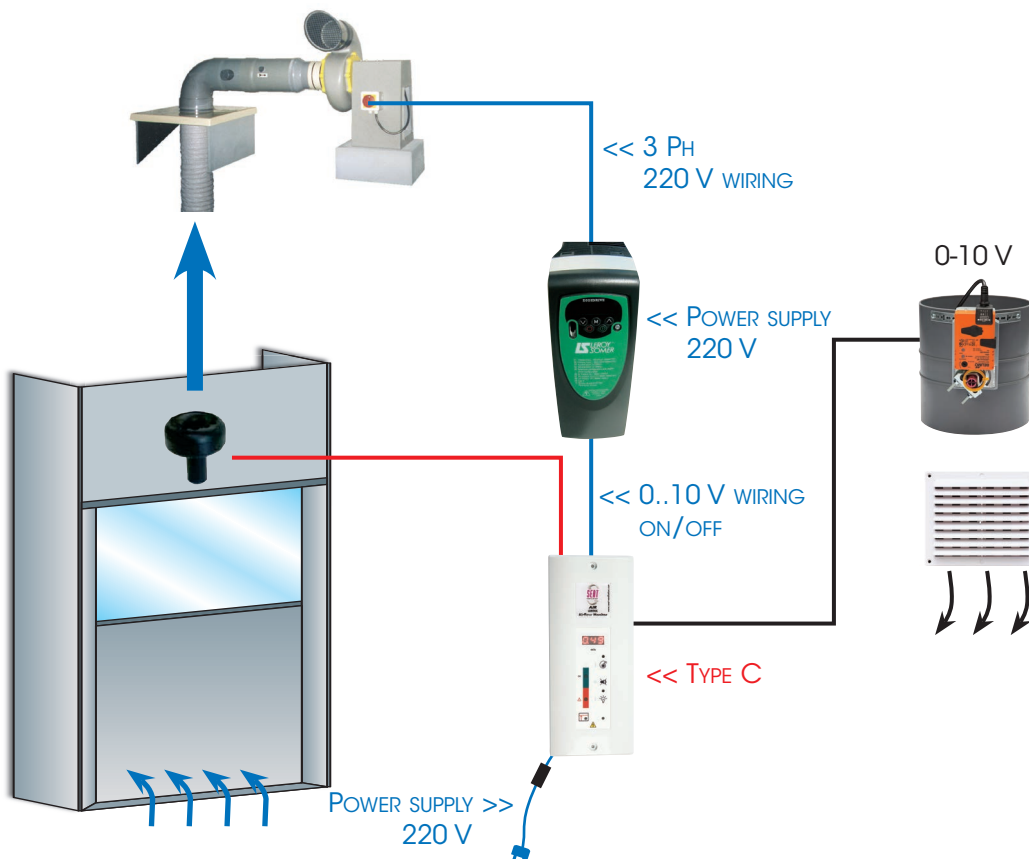
## Motorised damper (PVC), supplied with SEAT AIRCONTROL system



2 versions available: « all or nothing, 220V or 24V input » or « 0-10V, 24V input ».

Dimensions (mm)					
Ø D	Ø 125	Ø 160	Ø 200	Ø 250	Ø 315
L	140	180	225	265	305

## Type C - Operating principle



# The SEAT tests laboratory

Our ventilation specialists, members of European Committee for Standardization, propose you in our tests laboratory, trainings on:

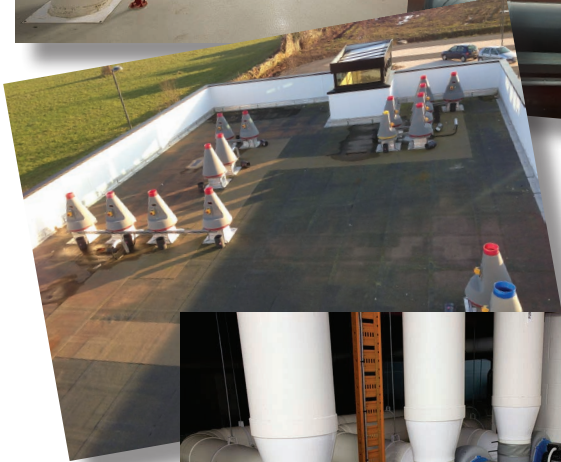
- Ventilation
- European standards
- Control and safety of your laboratory



**Our certifications available on**  
**[www.seat-ventilation.com](http://www.seat-ventilation.com)**

- ATEX declaration of conformity
- CETIAT laboratory
- Calibration and compliance certificate









CONTACT YOUR LOCAL REPRESENTATIVE:



Parc Technologique Delta Sud - 09340 VERNIOLLE France  
Tel. : + 33 (0)5 61 69 84 43 - Fax : + 33 (0)5 61 67 86 03  
E-mail: [info@seat-ventilation.com](mailto:info@seat-ventilation.com)  
[www.seat-ventilation.com](http://www.seat-ventilation.com)